

NOTE: ON EACH AMP-1140, INCOM & LSCOM ARE JUMPED TO +5V.

*SEE SECOND SHEET OF EL-3350 FOR CONNECTOR DESCRIPTIONS

UNIVERSITY OF CALIFORNIA
LICK OBSERVATORY

LOW DISPERSION FLAT MIRROR
STAGE WIRING
ESI SPECTROGRAPH

REVISION

- 02-18-97 CHANGED WIRING TO REFLECT SEPARATE SOLENOID PLATE (REV. B)
- 12-10-97 CHANGED CONTROLLER DESIGNATION FROM #1 TO #0
- 01-16-98 CHANGES FROM AIR TO SERVO STAGE
- 07-24-98 CORRECTED IN1/LW TO IN4/LW
- 01-14-99 SWAPPED PINS 1 AND 2 OF JB2
- 01-21-00 REMOVED HOME FIDUCIAL AND CHANGED PRIMARY LIMITS TO OPTICAL FIDUCIALS

DES'N BY: B. Alcott

ORIGIN DATE: 3/15/96

DWG. NO. NUM. 1 OF 2

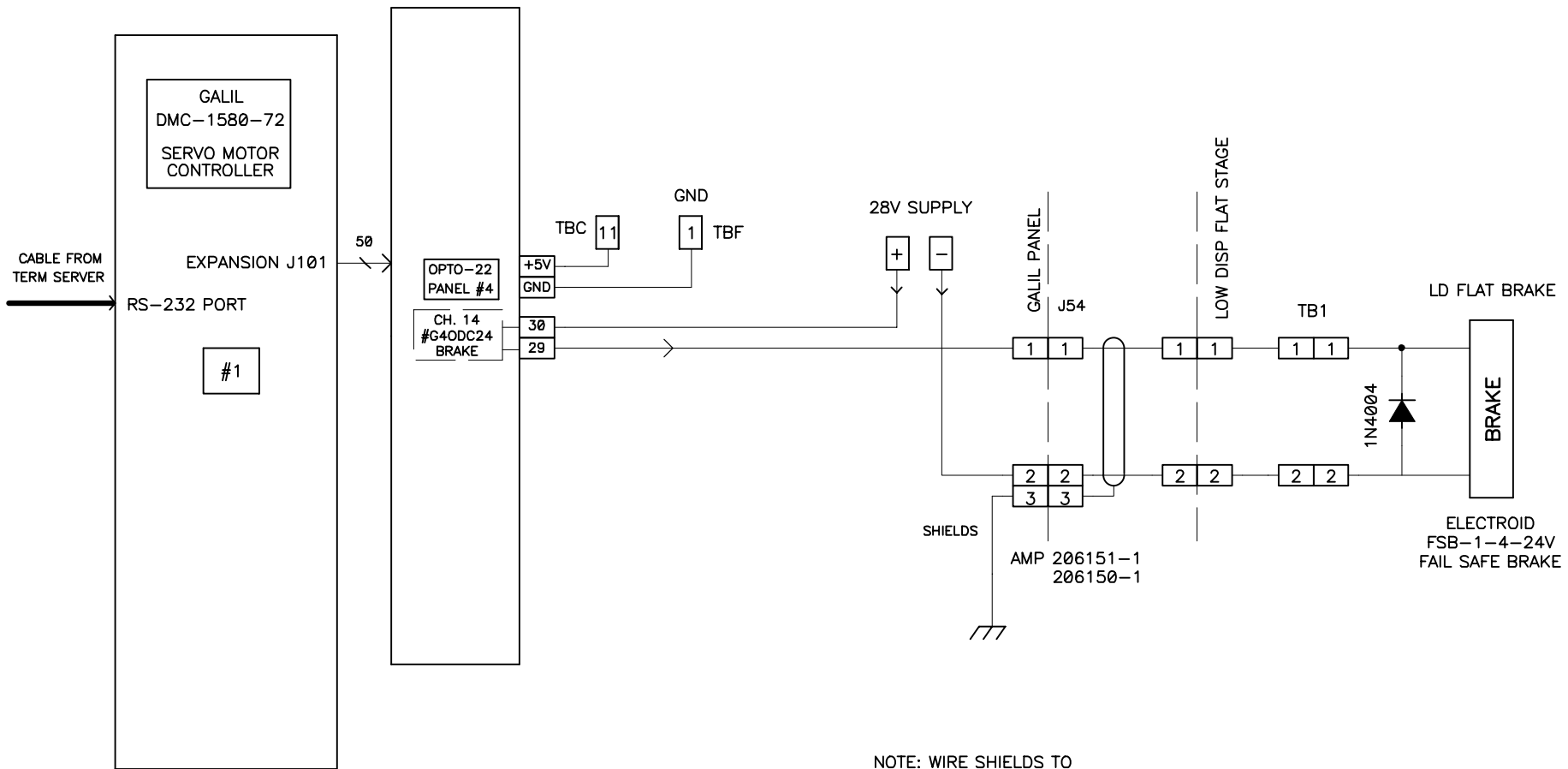
DRAWN BY:

MODIFY DATE: 01-21-00

PATH: ES\NLDFLAT

REV. C

EL-3372-1L



NOTE: WIRE SHIELDS TO CHASSIS GROUND POINT.

UNIVERSITY OF CALIFORNIA
LICK OBSERVATORY

LOW DISPERSION FLAT MIRROR
STAGE WIRING
ESI SPECTROGRAPH

REVISION

01/16/98 CHANGES TO SHAFT BRAKE
02/26/98 Swapped pins on OPTO-22 relay.
7/24/98 CORRECTED EXPANSION CABLE DESIGNATIONS
10-15-98 ADDED PROTECTION DIODE ACROSS BRAKE COIL
7-26-99 CHANGED LABEL ON RELAY FROM LOCK TO BRAKE

DES'N BY: B. Alcott

ORIGIN DATE: 3/15/96

DWG. NO.

NUM. 2 OF 2

DRAWN BY:

MODIFY DATE: 7-26-99

PATH: ESI\LDLFLAT

REV. C

EL-3372-1L