

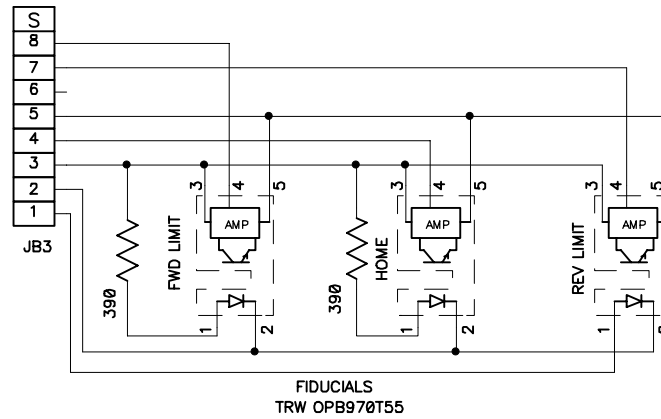
NOTE: ON EACH AMP-1140, INCOM & LSCOM ARE JUMPED TO +5V.

UNIVERSITY OF CALIFORNIA LICK OBSERVATORY		COLLIMATOR FOCUS MOTOR #2 STAGE WIRING ESI SPECTROGRAPH	
DES'N BY: B. Alcott	ORIGIN DATE: 12/11/96	DWG. NO. NUM. 1 OF 2	
DRAWN BY:	MODIFY DATE: 07/27/99	EL-3360-1L	
PATH: ESI\COLL2	REV. A		

REVISION

- 01/16/96 UPDATE TO REFLECT POSITION SWITCHES BA
- 09/10/97 CHANGED PRIMARY LIMITS TO OPTICAL INTERRUPTERS
- 12/09/97 MADE STAGE DUAL-LOOP ENCODED
- 01/16/98 ADDED INTERCONNECT BOX EL NUMBER
- 01/23/98 CORRECTED INPUT LIMIT LABEL ON CONTROLLER FROM IN9 TO IN10
- 02/25/98 CORRECTED DRAWING NUMBER
- 07/24/98 CHANGED AUX ENCODER SIGNAL DESIGNATIONS FROM E TO F
- 01/14/99 SWAPPED PINS 1 AND 2 OF JB2
- 07/27/99 tc ADDED RENISHAW MONITORING WIRES AT TB1:23,24

LIMITS LOCATED ON STAGE



REVISION

2-25-98 CORRECTED DRAWING NUMBER

UNIVERSITY OF CALIFORNIA
LICK OBSERVATORY

COLLIMATOR FOCUS MOTOR #2
STAGE WIRING
ESI SPECTROGRAPH

DES'N BY: B. Alcott

ORIGIN DATE: 12/11/96

DWG. NO.

NUM. 2 OF 2

DRAWN BY:

MODIFY DATE: 12-9-97

PATH: ESI\COLL2

REV. A

EL-3360-1L