

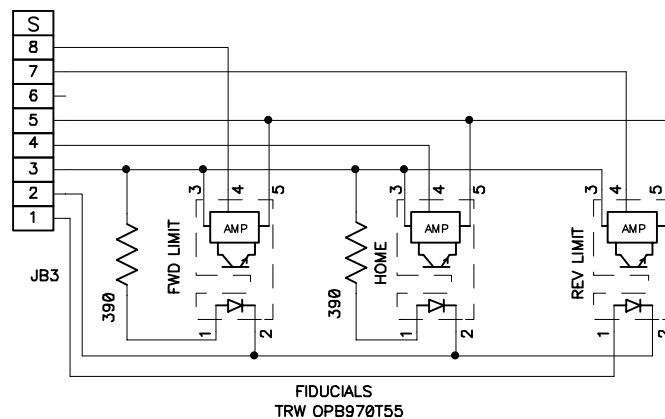
NOTE: ON EACH AMP-1140, INCOM & LSCOM ARE JUMPERED TO +5V.

UNIVERSITY OF CALIFORNIA LICK OBSERVATORY		COLLIMATOR FOCUS MOTOR #1 STAGE WIRING ESI SPECTROGRAPH	
DES'N BY: B. Alcott	ORIGIN DATE: 3/8/96	DWG. NO.	NUM. 1 OF 2
DRAWN BY:	MODIFY DATE: 07/27/99	EL-3358-1L	
PATH: ES\COLL1	REV. A		

REVISION

- 01/16/96 UPDATE TO REFLECT POSITION SWITCHES BA
- 09/10/97 CHANGED PRIMARY LIMITS TO OPTICAL INTERRUPTERS
- 11/20/97 MADE STAGE DUAL-LOOP ENCODED
- 01/16/98 ADDED INTERCONNECT BOX EL NUMBER
- 01/14/99 SWAPPED PINS 1 AND 2 OF JB2
- 07/27/99 IC ADDED RENISHAW MONITORING WIRES AT TB1:23,24

LIMITS LOCATED ON STAGE



REVISION

UNIVERSITY OF CALIFORNIA
LICK OBSERVATORY

COLLIMATOR FOCUS MOTOR #1
STAGE WIRING
ESI SPECTROGRAPH

DES'N BY: B. Alcott

ORIGIN DATE: 3/8/96

DWG. NO.

NUM. 2 OF 2

DRAWN BY:

MODIFY DATE: 11/20/97

PATH: ESI\COLL1

REV. A

EL-3358-1L