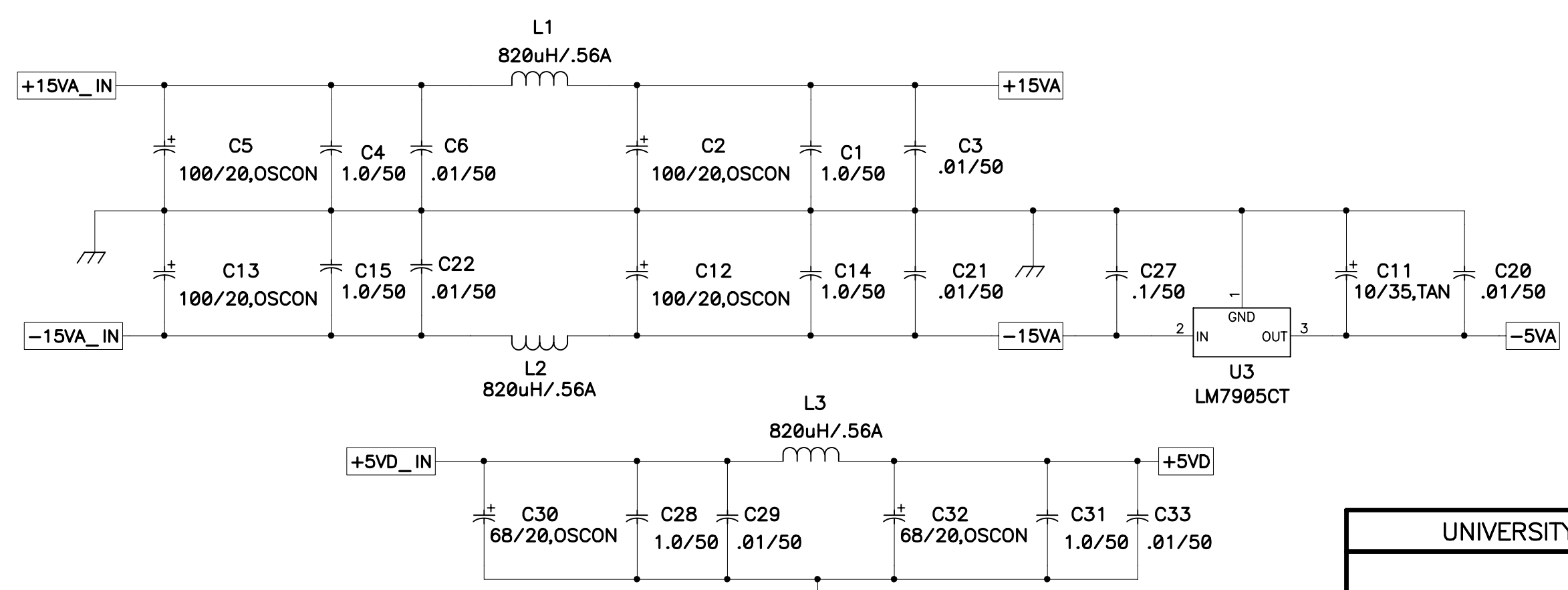
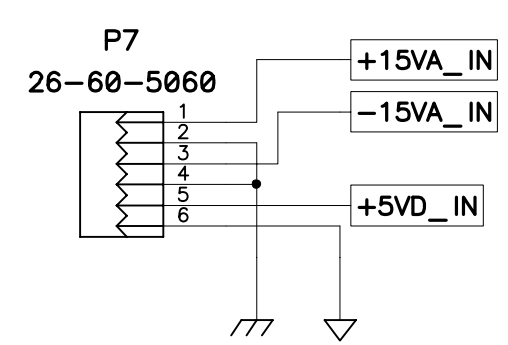
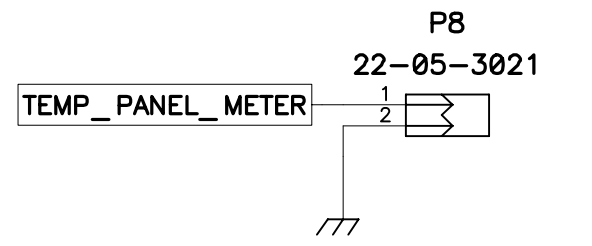


POWER INPUT & FILTERS



TO TEMPERATURE PANEL METER



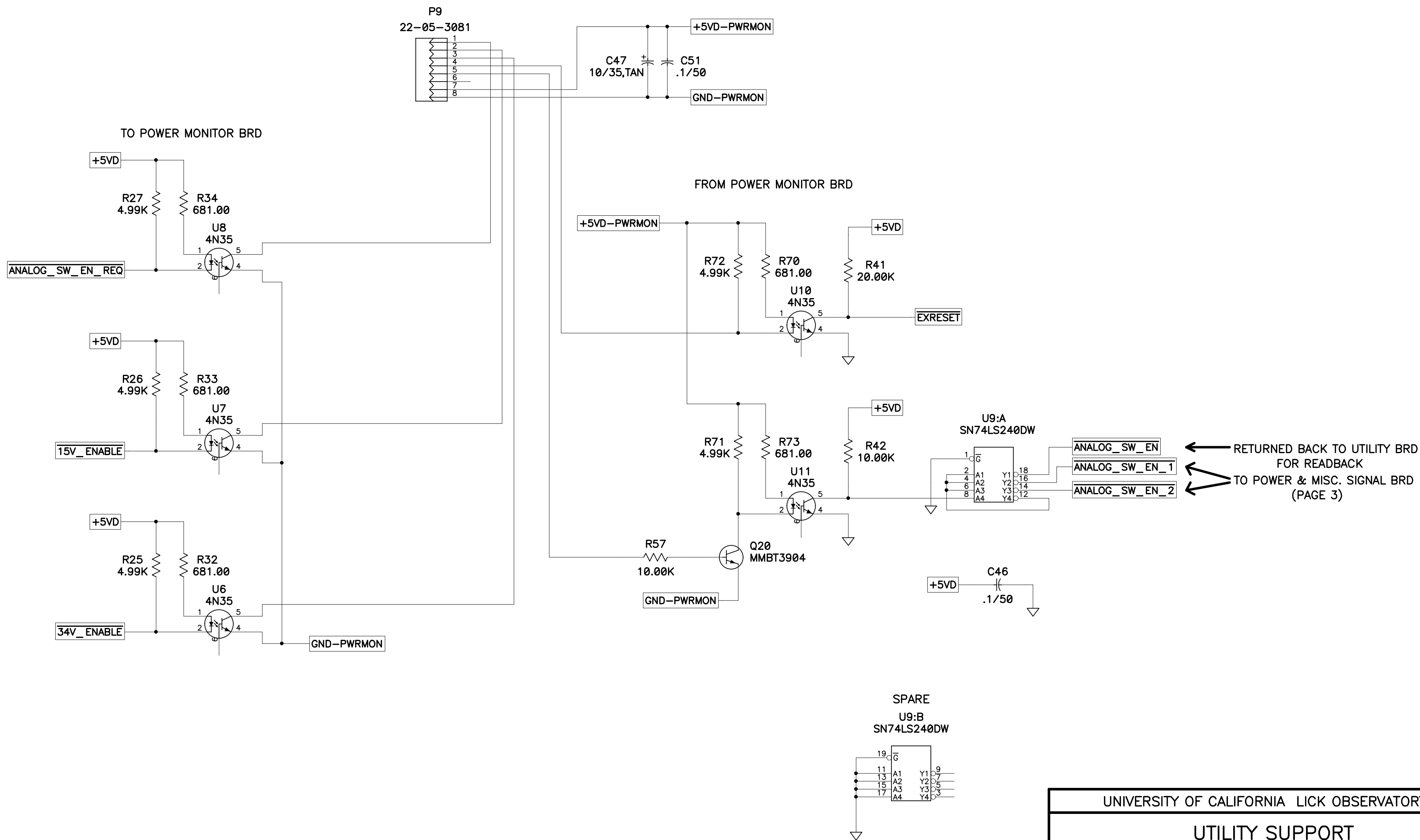
NOTE: THE FOLLOWING GROUND SYMBOLS ARE USED:

- +/- 15VA GROUND - ANALOG
(FROM INPUT POWER CONNECTOR - ALSO TIED TO SDSU-II UTILITY BRD CONNECTOR'S GROUND PINS)
- +5VD GROUND - DIGITAL
(FROM INPUT POWER CONNECTOR)
- SDSU-II CLOCK DRIVER BRD GND

REVISION

UNIVERSITY OF CALIFORNIA LICK OBSERVATORY	
UTILITY SUPPORT	
DWG. NO.	EL-3193
DES'N BY: Chris Wright	ORIGIN DATE: AUGUST 11, 1997
DRAWN BY:	MODIFY DATE: SEPTEMBER 26, 1997
PATH: sdsuccd2\boards\el3193\utilsupp.sch	SHEET 1 OF 8

POWER MONITOR BOARD INTERFACE



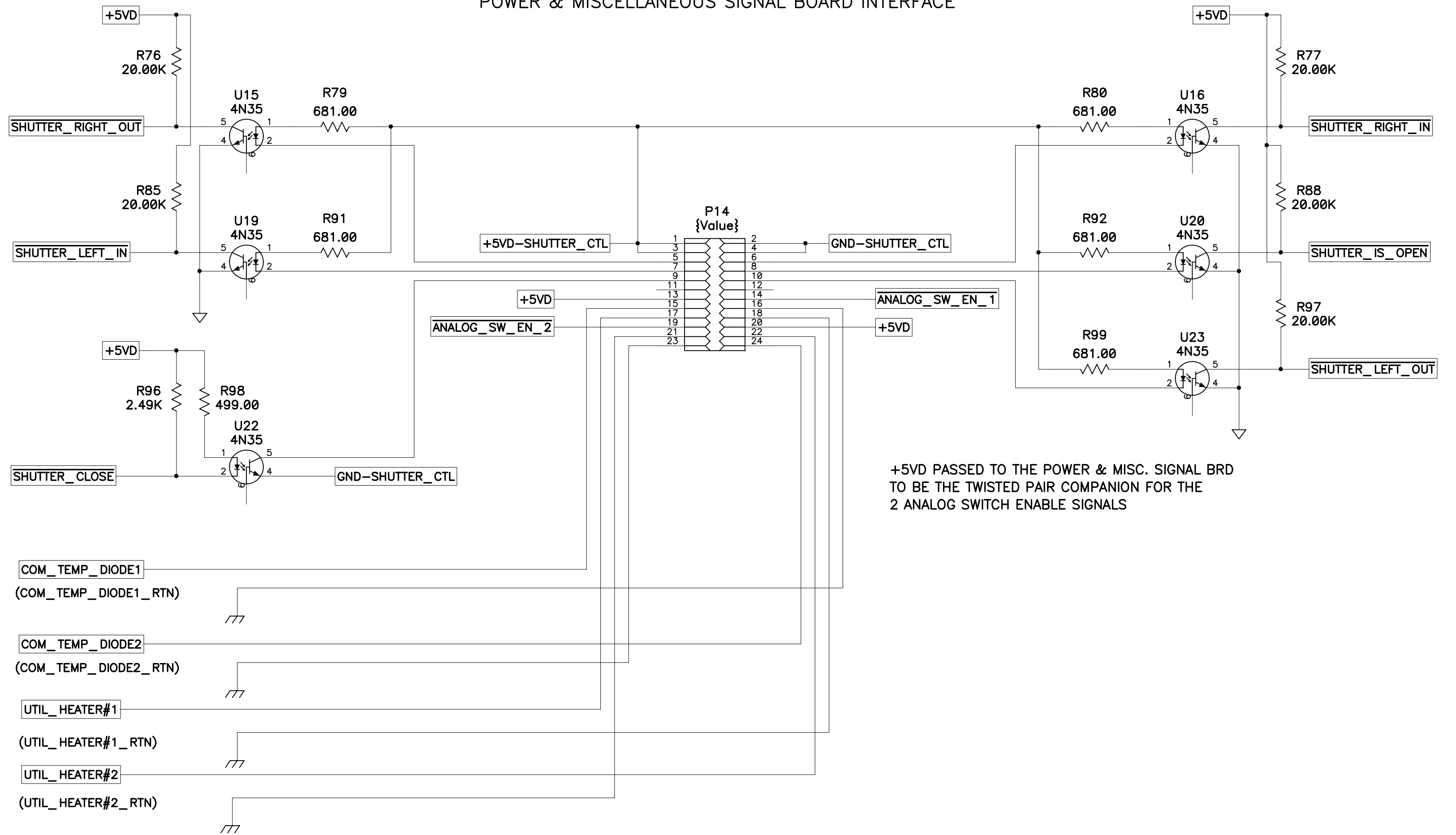
RETURNED BACK TO UTILITY BRD FOR READBACK
 TO POWER & MISC. SIGNAL BRD (PAGE 3)

REVISION

UNIVERSITY OF CALIFORNIA LICK OBSERVATORY	
UTILITY SUPPORT	
DWG. NO.	EL-3193
DES'N BY: Chris Wright	ORIGIN DATE: AUGUST 11, 1997
DRAWN BY:	MODIFY DATE: SEPTEMBER 26, 1997
PATH: sdsuccd2\boards\el3193\utilsupp.sch	SHEET 2 OF 8

REV A

POWER & MISCELLANEOUS SIGNAL BOARD INTERFACE



SHUTTER CONTROL/STATUS LINES
FROM UTILITY BOARD
(PAGE 1)

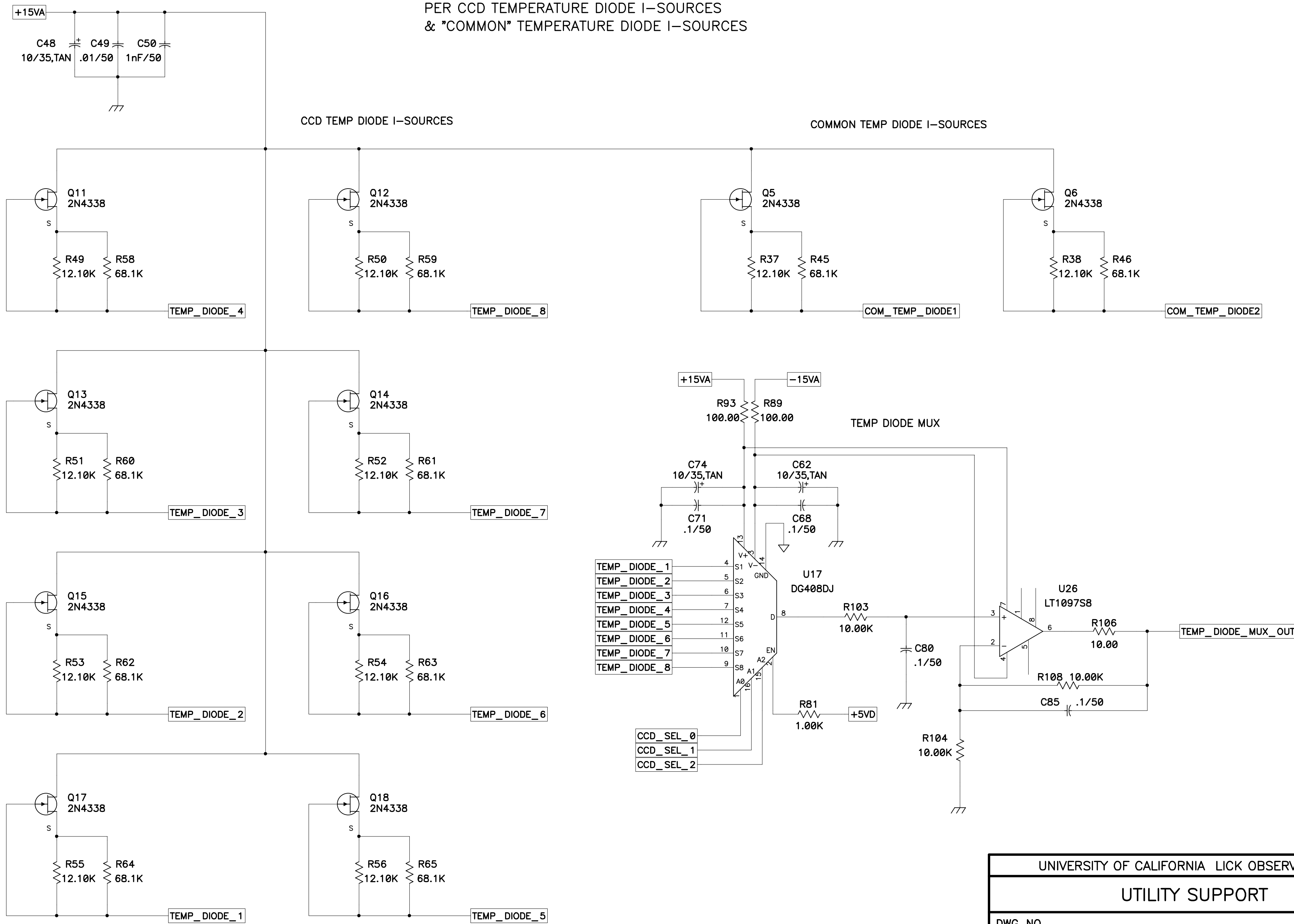
COMMON TEMP DIODE/HEATER LINES
(PAGE 1 & PAGE 4)

+5VD PASSED TO THE POWER & MISC. SIGNAL BRD
TO BE THE TWISTED PAIR COMPANION FOR THE
2 ANALOG SWITCH ENABLE SIGNALS

UNIVERSITY OF CALIFORNIA LICK OBSERVATORY	
UTILITY SUPPORT	
DWG. NO.	EL-3193
DES'N BY: Chris Wright	ORIGIN DATE: AUGUST 11, 1997
DRAWN BY:	MODIFY DATE: SEPTEMBER 26, 1997
PATH: sdsuccd2\boards\el3193\utilsupp.sch	SHEET 3 OF 8

REVISION

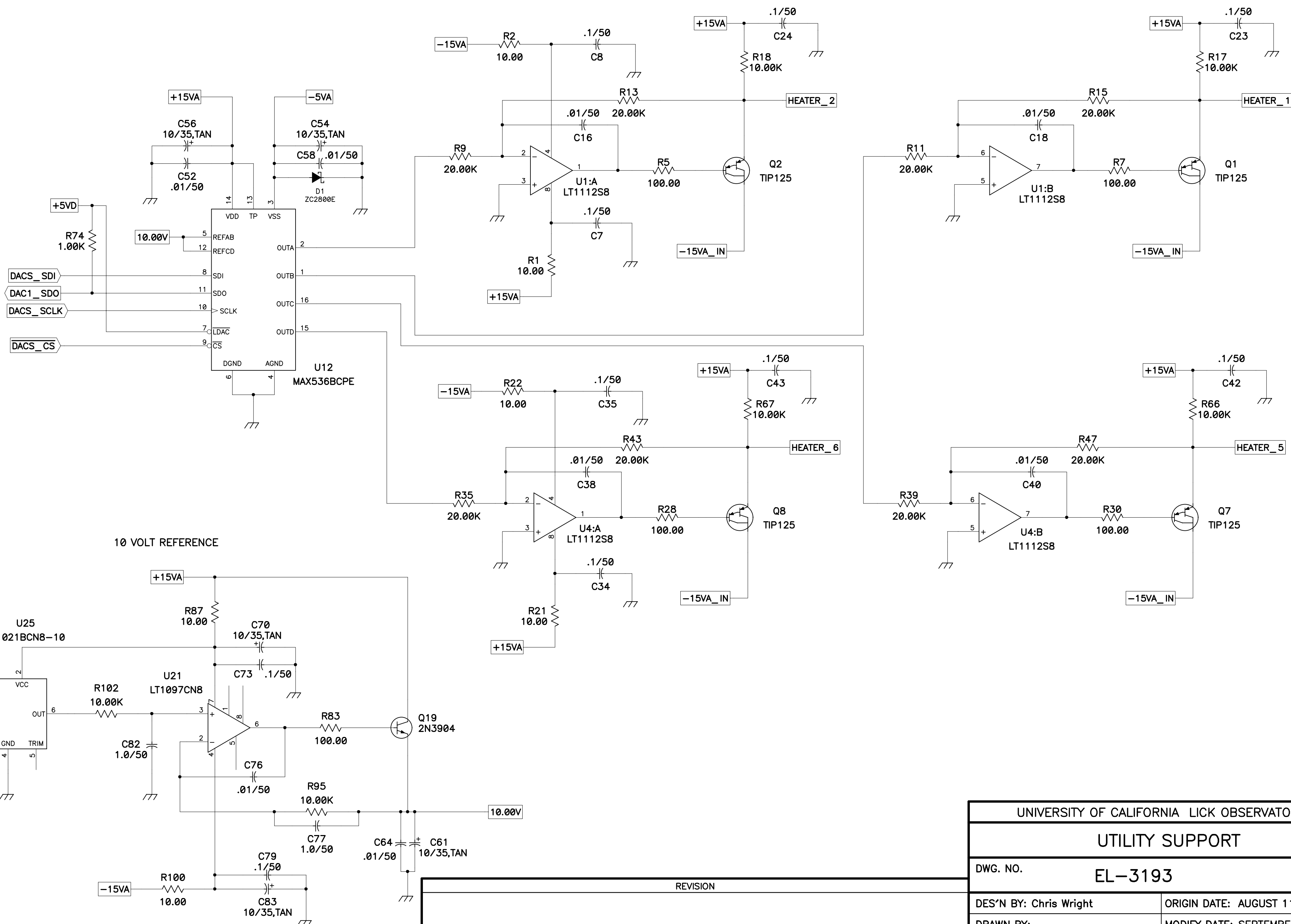
PER CCD TEMPERATURE DIODE I-SOURCES
& "COMMON" TEMPERATURE DIODE I-SOURCES



REVISION

UNIVERSITY OF CALIFORNIA LICK OBSERVATORY	
UTILITY SUPPORT	
DWG. NO.	EL-3193
DES'N BY: Chris Wright	ORIGIN DATE: AUGUST 11, 1997
DRAWN BY:	MODIFY DATE: SEPTEMBER 26, 1997
PATH: sdsuccd2\boards\el3193\utilsupp.sch	SHEET 4 OF 8

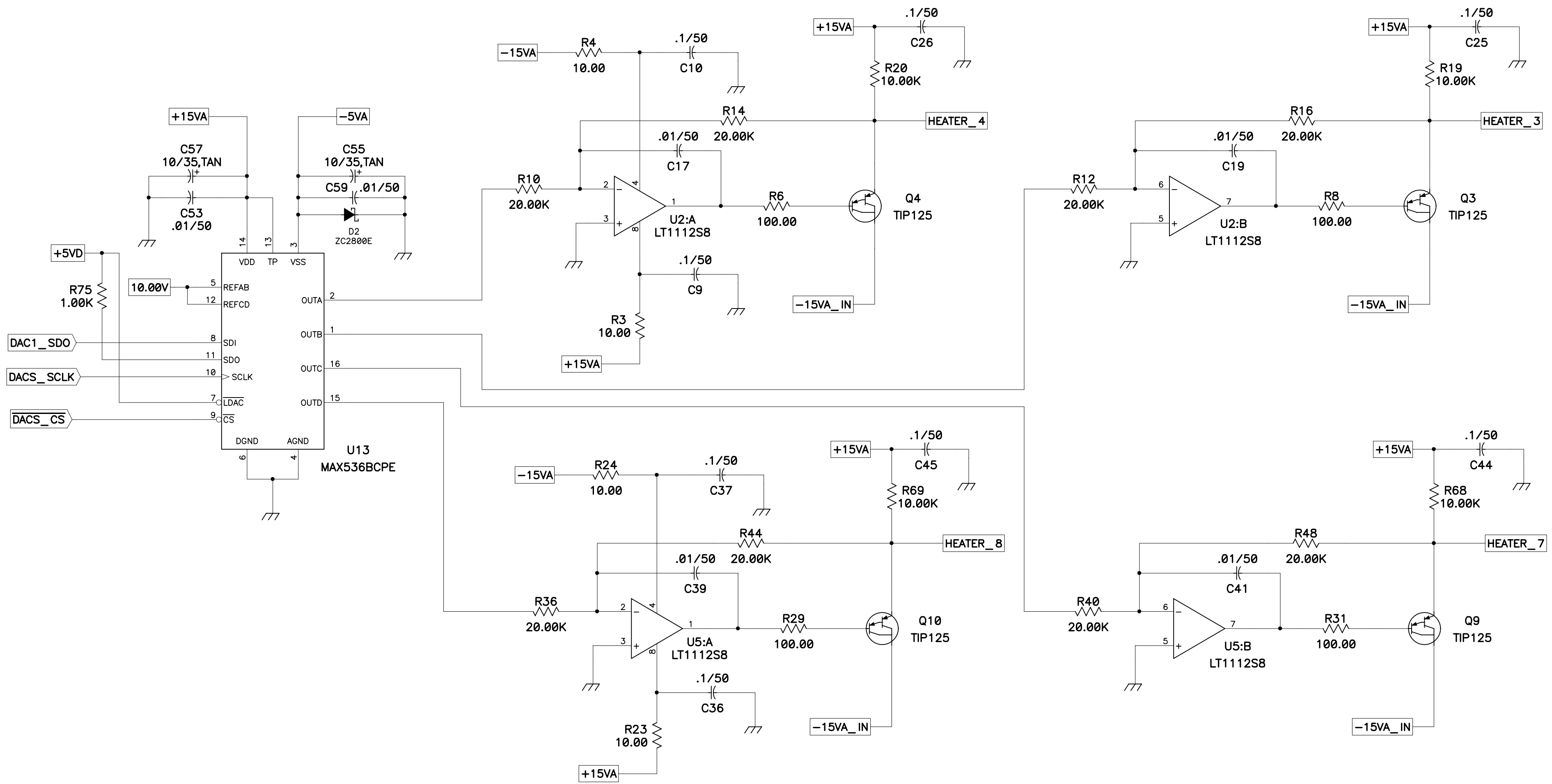
PER CCD HEATER DACS: CCD1 - CCD4



UNIVERSITY OF CALIFORNIA LICK OBSERVATORY	
UTILITY SUPPORT	
DWG. NO.	EL-3193
DES'N BY: Chris Wright	ORIGIN DATE: AUGUST 11, 1997
DRAWN BY:	MODIFY DATE: SEPTEMBER 26, 1997
PATH: sdsuccd2\boards\el3193\utilsupp.sch	SHEET 5 OF 8

REVISION

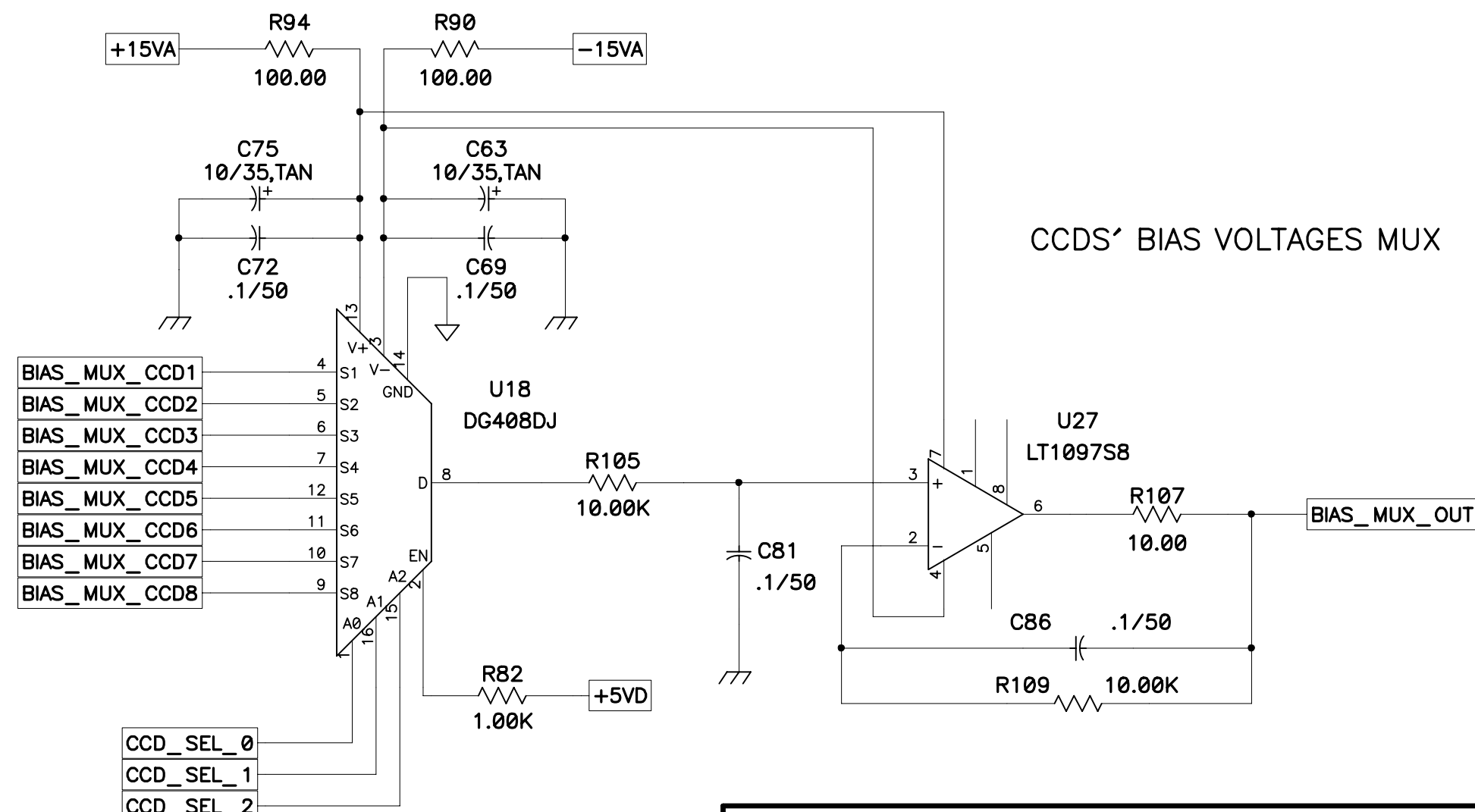
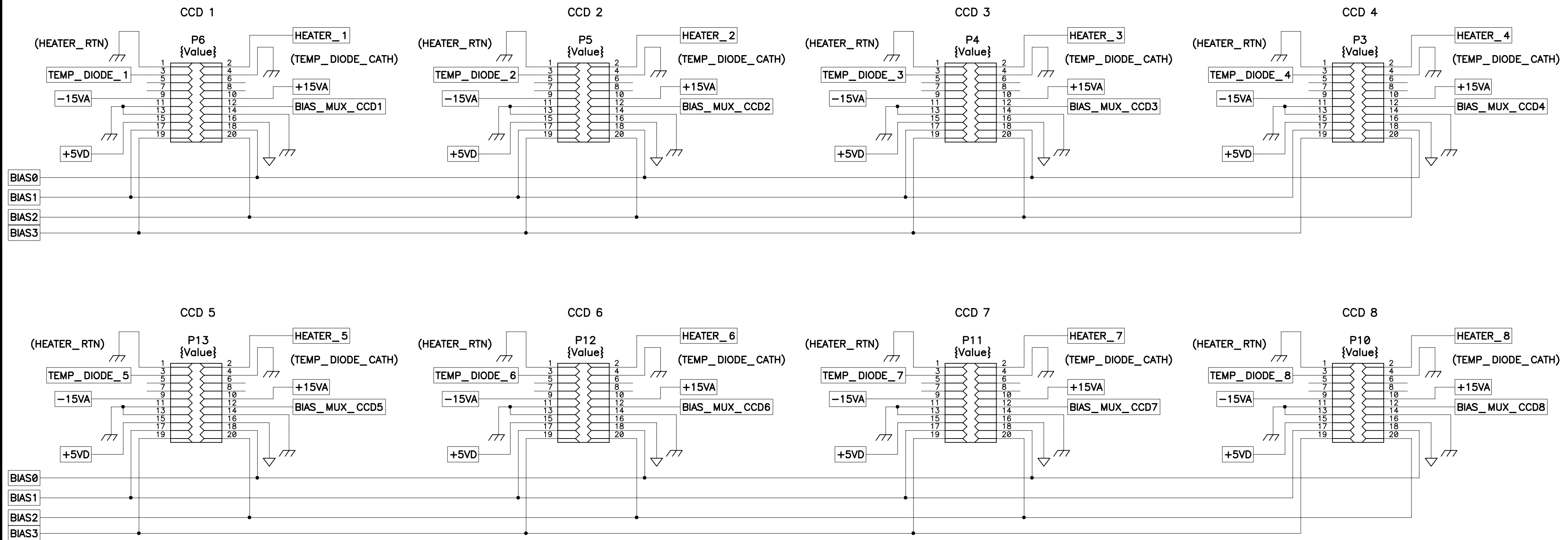
PER CCD HEATER DACS: CCD5 – CCD8



UNIVERSITY OF CALIFORNIA LICK OBSERVATORY	
UTILITY SUPPORT	
DWG. NO.	EL-3193
DES'N BY: Chris Wright	ORIGIN DATE: AUGUST 11, 1997
DRAWN BY:	MODIFY DATE: SEPTEMBER 26, 1997
PATH: sdsuccd2\boards\el3193\utilsupp.sch	SHEET 6 OF 8

REVISION

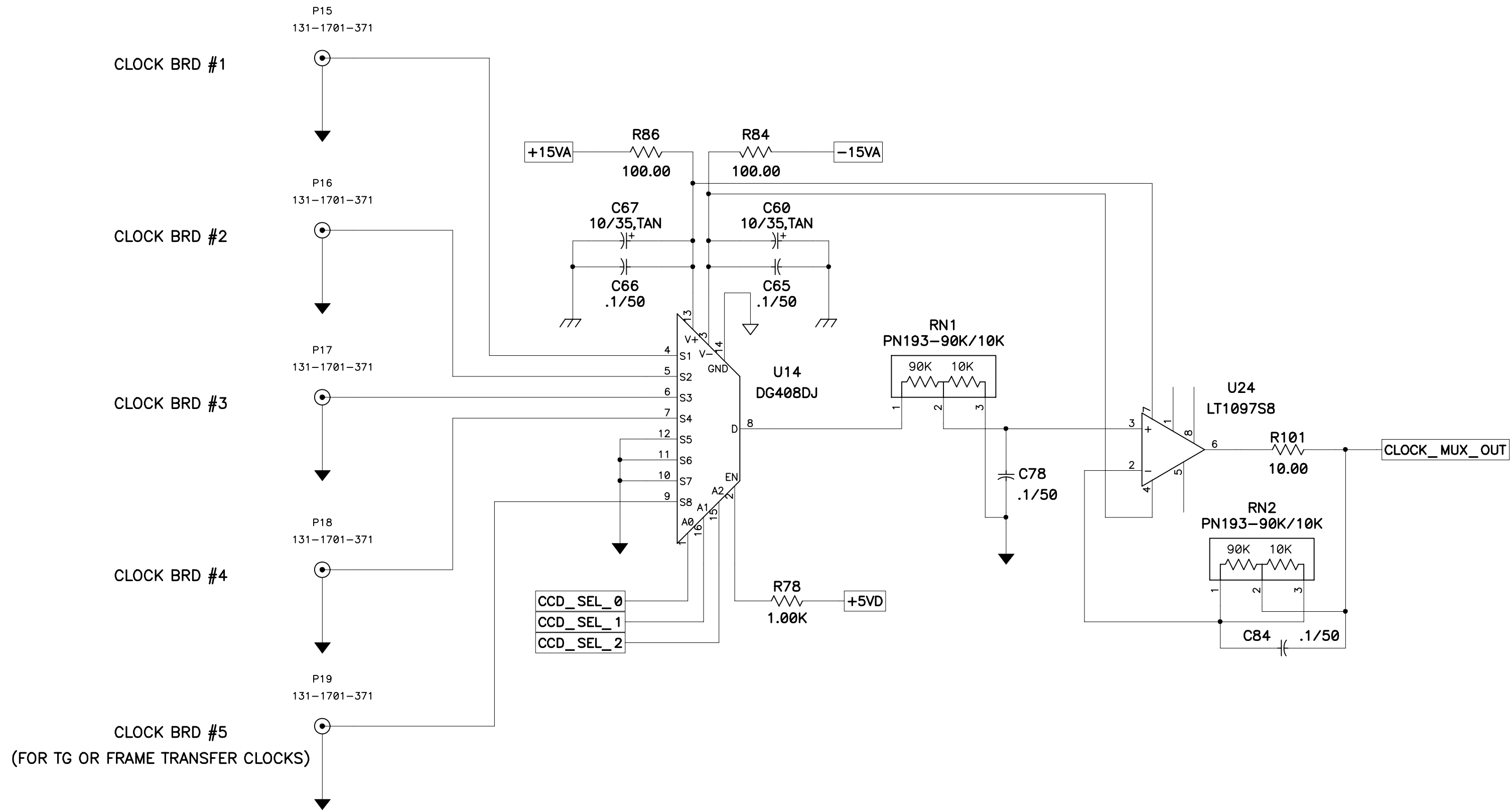
INPUT/OUTPUT CONNECTORS TO
CABLE INTERCONNECT BOARDS



UNIVERSITY OF CALIFORNIA LICK OBSERVATORY	
UTILITY SUPPORT	
DWG. NO.	EL-3193
DES'N BY: Chris Wright	ORIGIN DATE: AUGUST 11, 1997
DRAWN BY:	MODIFY DATE: SEPTEMBER 26, 1997
PATH: sdsuccd2\boards\el3193\utilsupp.sch	SHEET 7 OF 8

REVISION

CLOCK BOARDS MUX



UNIVERSITY OF CALIFORNIA LICK OBSERVATORY	
UTILITY SUPPORT	
DWG. NO.	EL-3193
	REV A
DES'N BY: Chris Wright	ORIGIN DATE: AUGUST 11, 1997
DRAWN BY:	MODIFY DATE: SEPTEMBER 26, 1997
PATH: sdsuccd2\boards\el3193\utilsupp.sch	SHEET 8 OF 8

REVISION