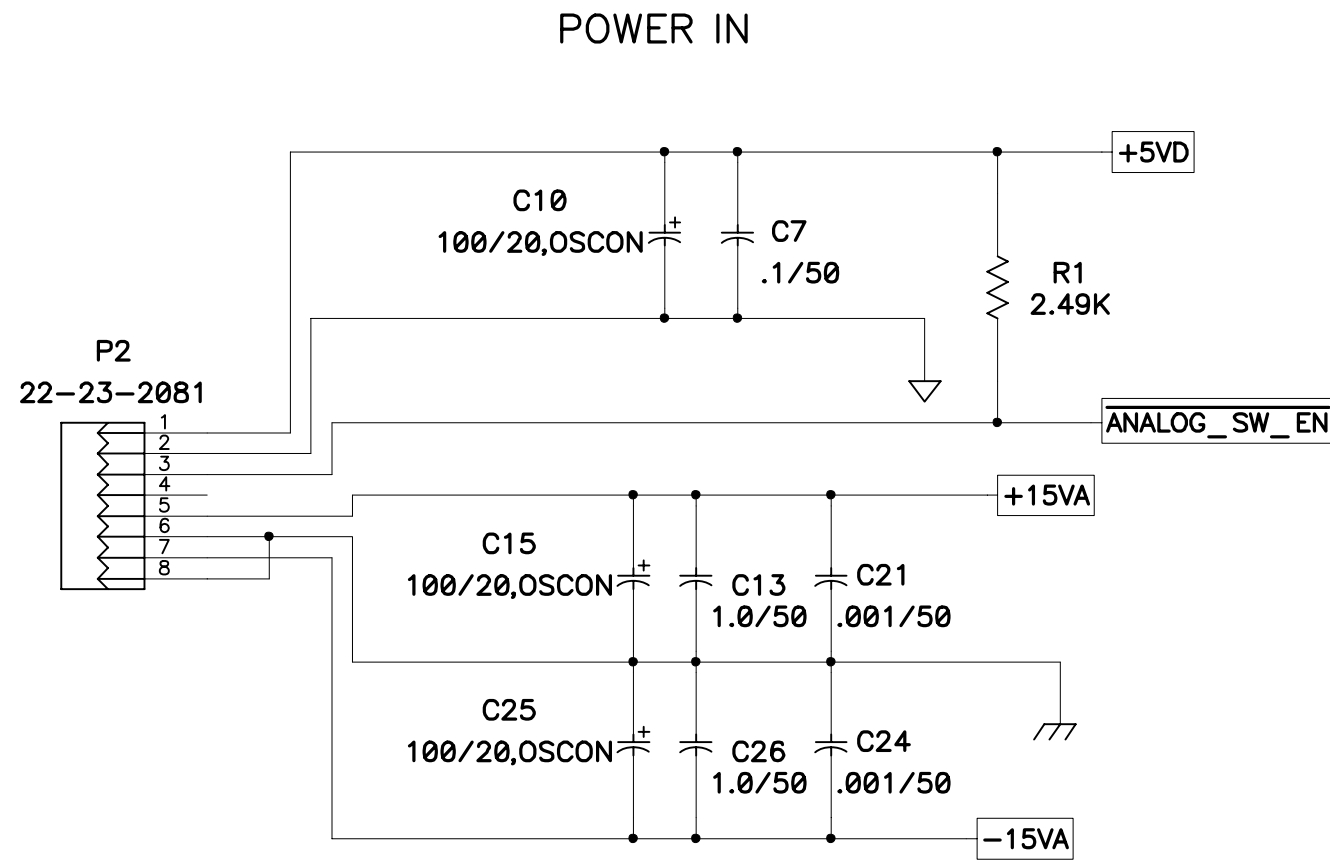
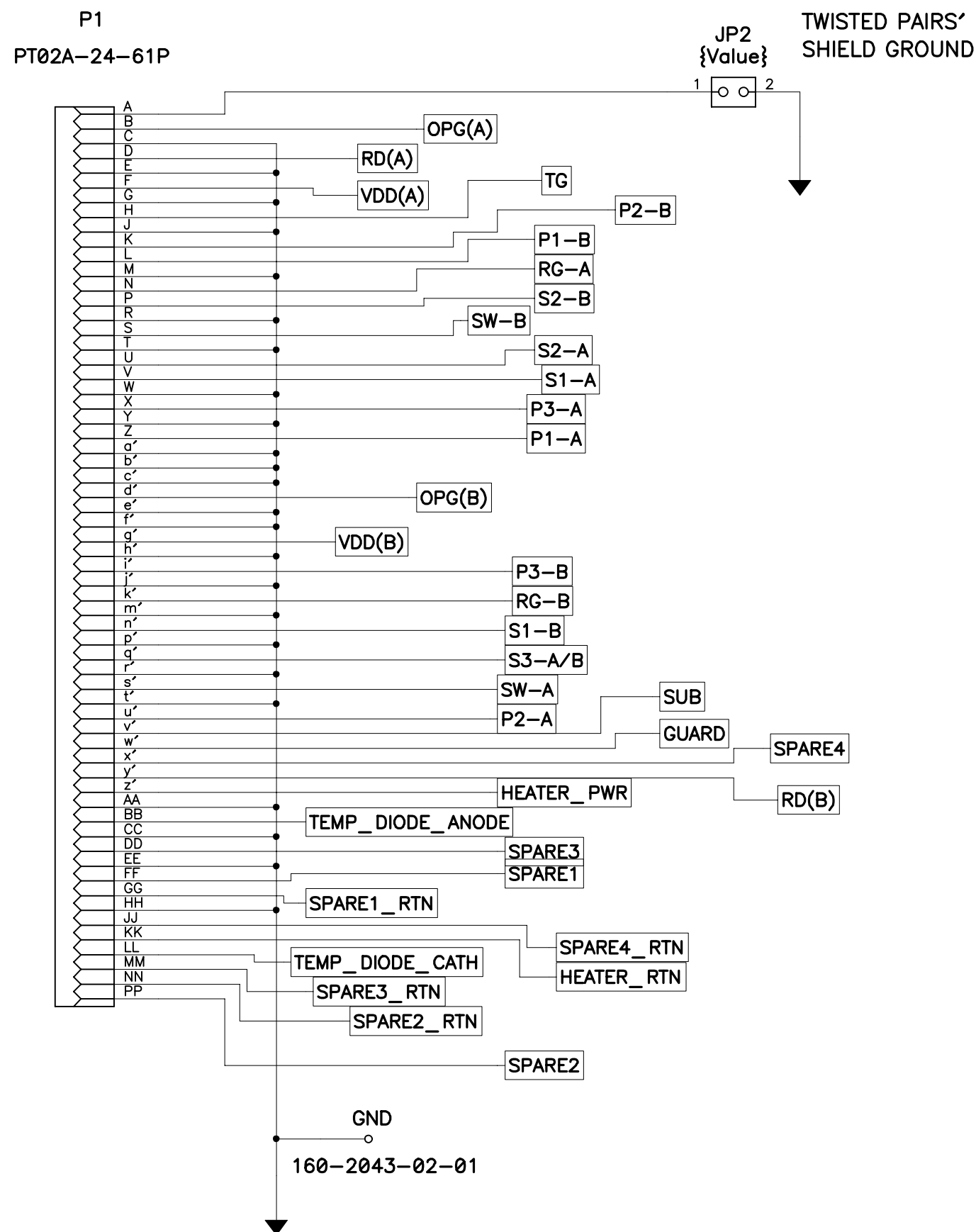
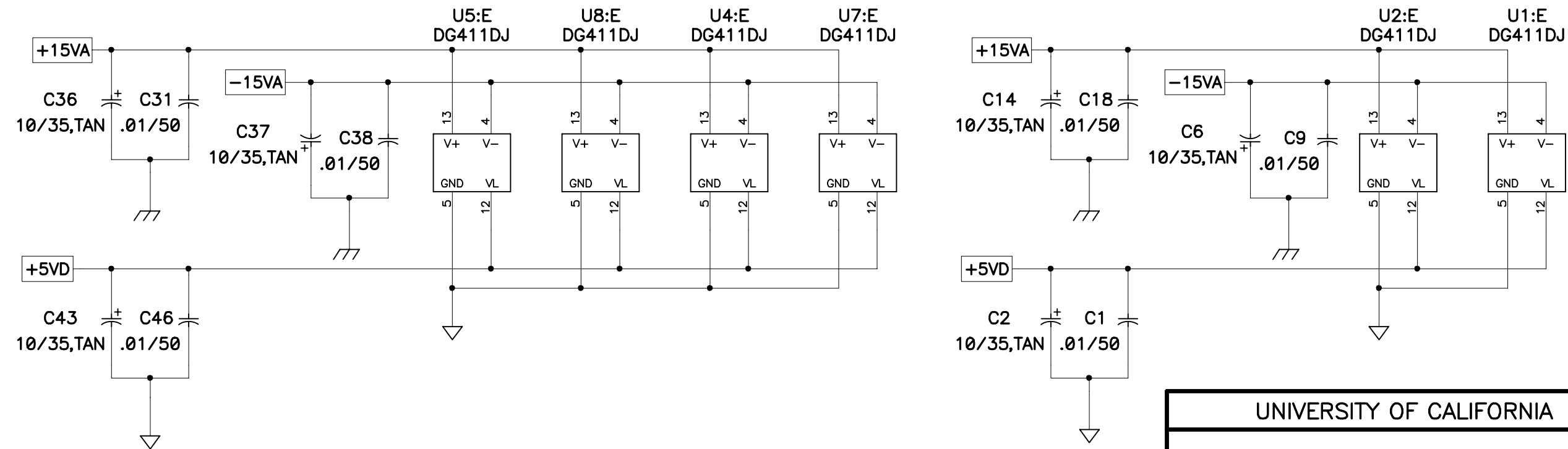





61-PIN PANEL MOUNT
INPUT CONNECTOR



ANALOG SWITCH POWER

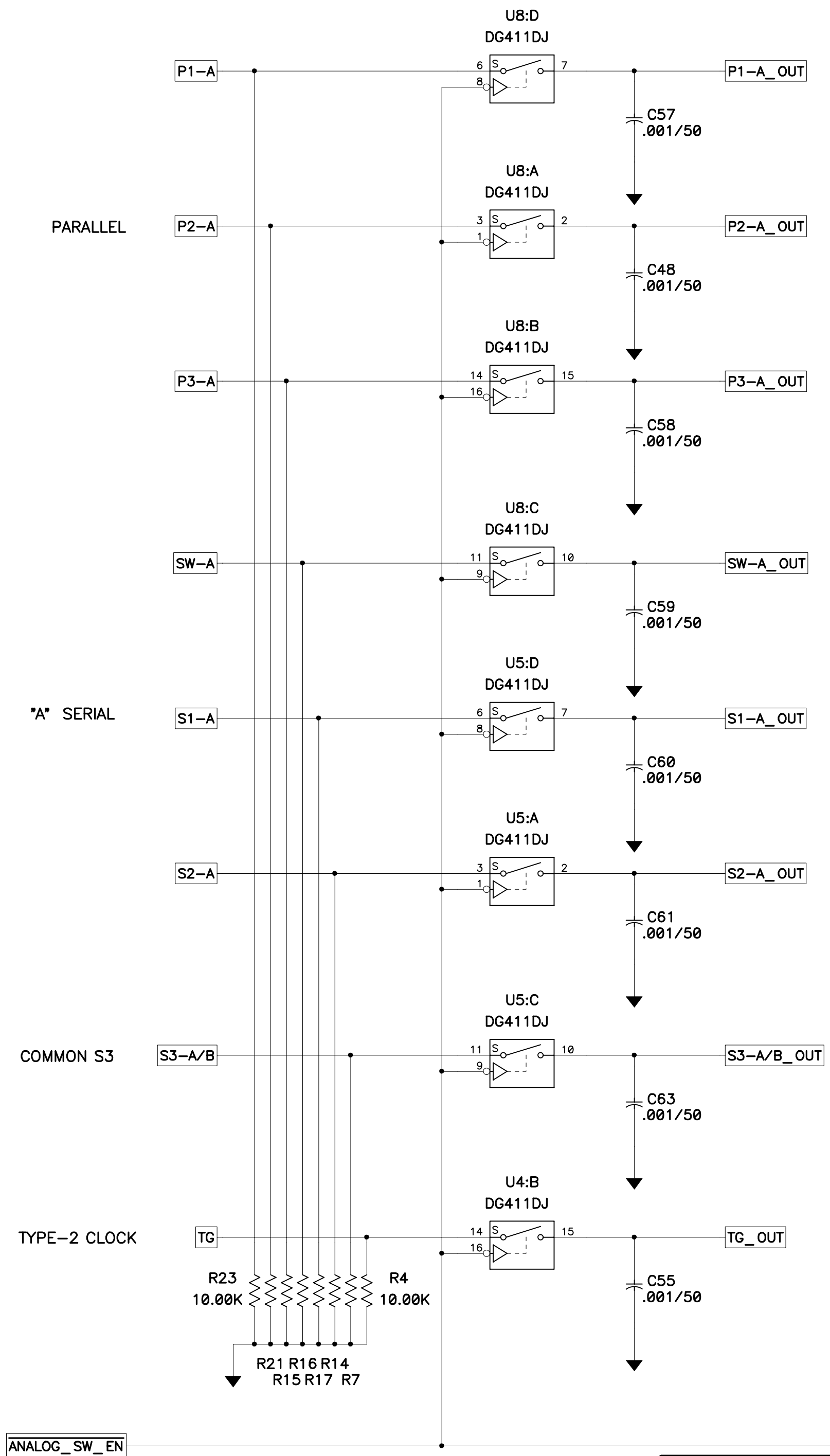


NOTE - THE FOLLOWING GROUND SYMBOLS ARE USED:

-  CCD SIGNAL GROUND
-  +/- 15VA GROUND (ELECTRONICS BOX ANALOG GND)
-  +5VD GROUND (ELECTRONICS BOX DIGITAL GND)

REVISION	

UNIVERSITY OF CALIFORNIA LICK OBSERVATORY	
61-PIN CONNECTOR/ANALOG SWITCH	
DWG. NO.	EL-3192
DES'N BY: Chris Wright	ORIGIN DATE: APRIL 23, 1998
DRAWN BY:	MODIFY DATE:
PATH: sdsuccd2\boards\el3192\switch.sch	
SHEET 1 OF 4	

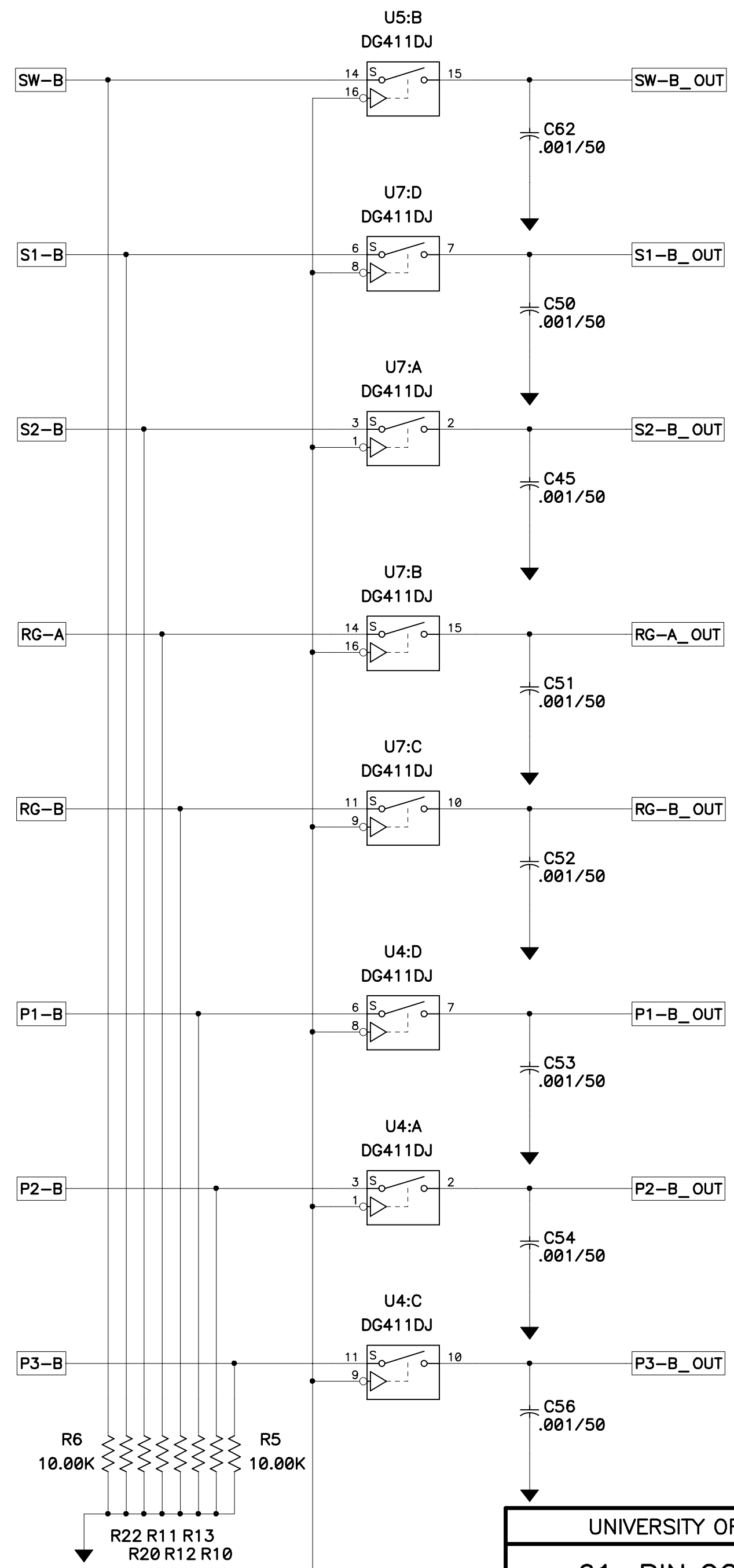


CCD CLOCKS

B SERIAL

RESET GATE

FRAME TRANSFER CLOCKS



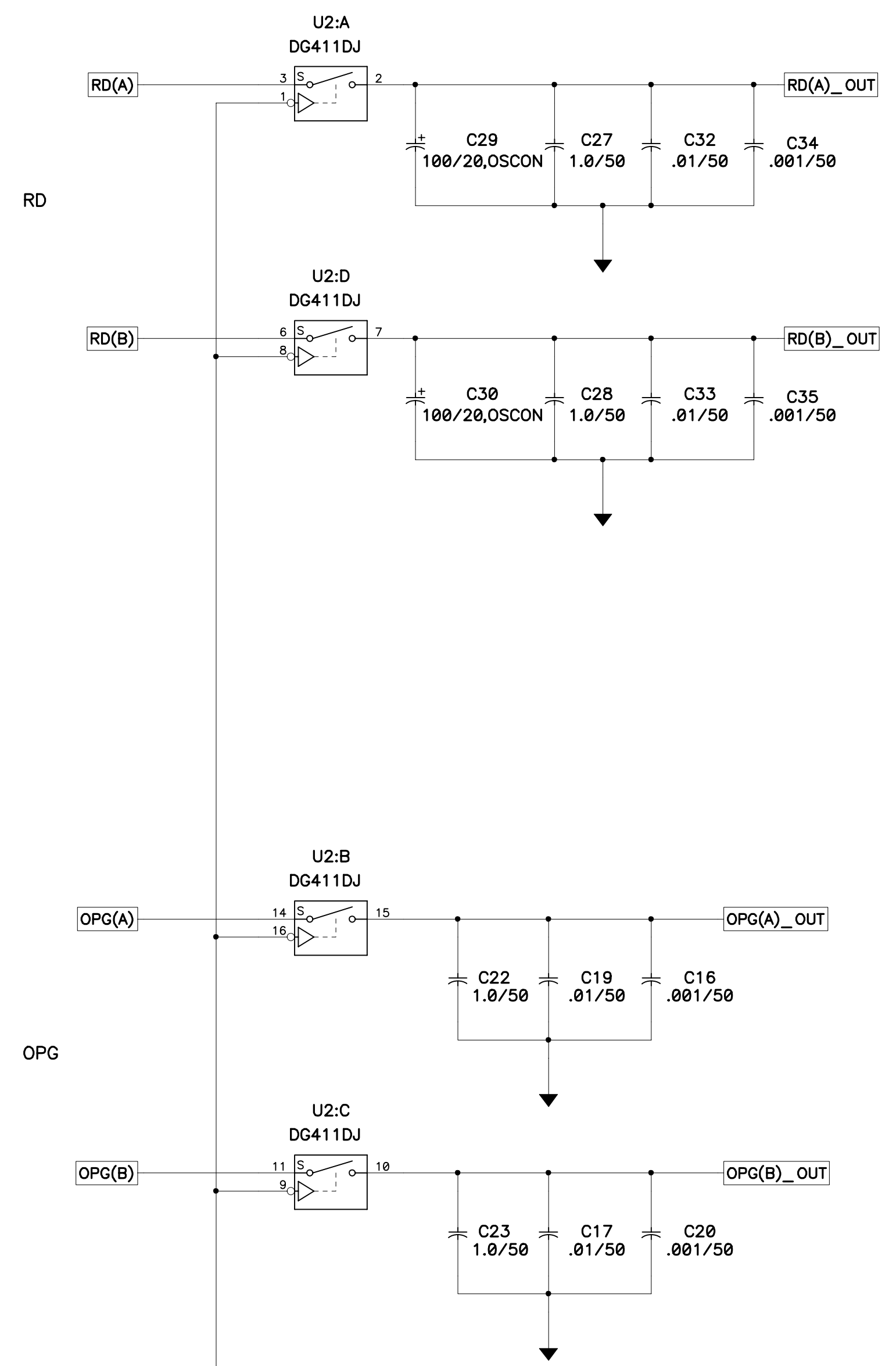
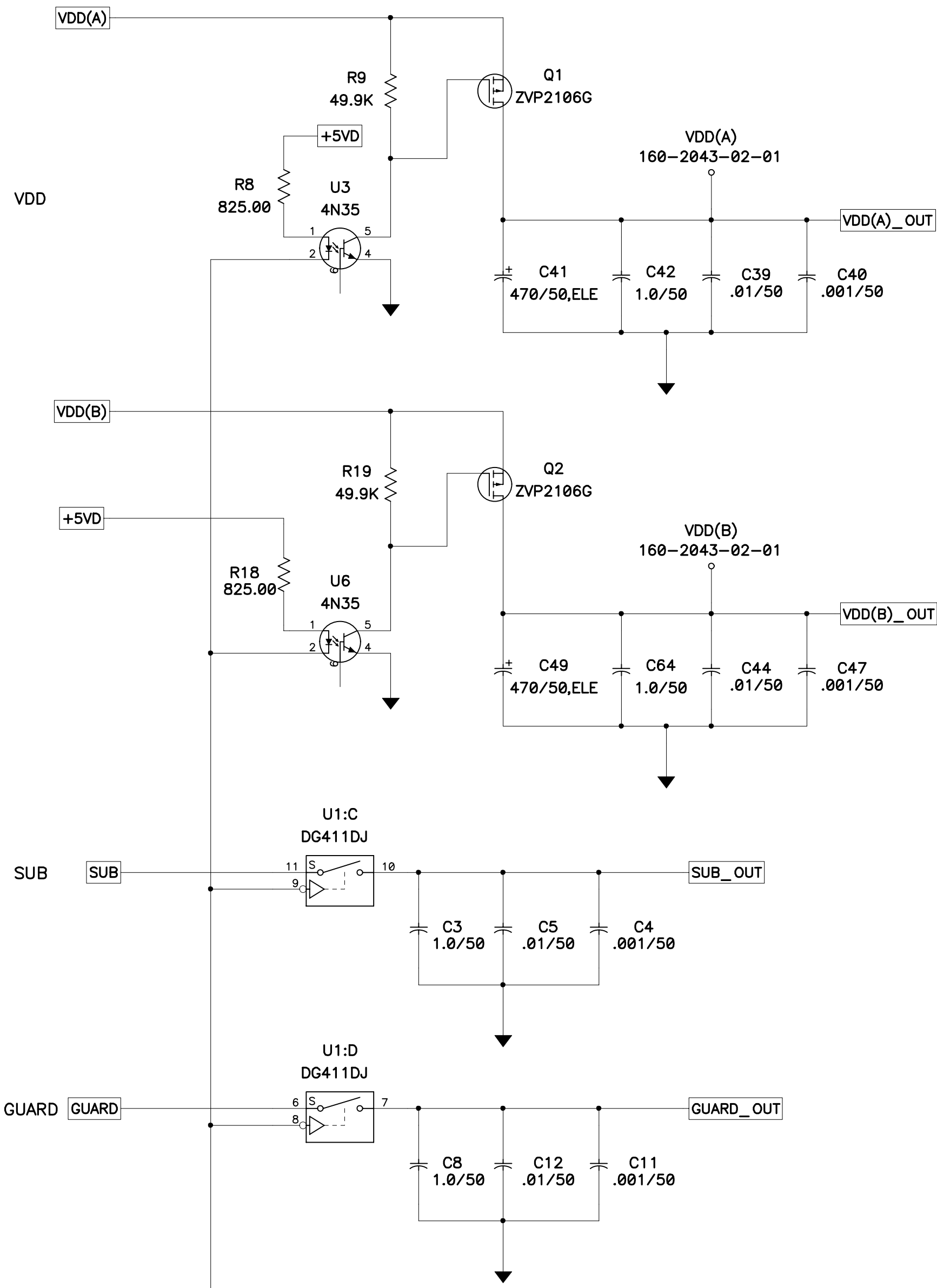
ANALOG_SW_EN

REVISION

UNIVERSITY OF CALIFORNIA LICK OBSERVATORY	
61-PIN CONNECTOR/ANALOG SWITCH	
DWG. NO.	EL-3192
DES'N BY: Chris Wright	ORIGIN DATE: APRIL 23, 1998
DRAWN BY:	MODIFY DATE:
PATH: sdsuccd2\boards\el3192\switch.sch	SHEET 2 OF 4

REV B

CCD BIAS VOLTAGES

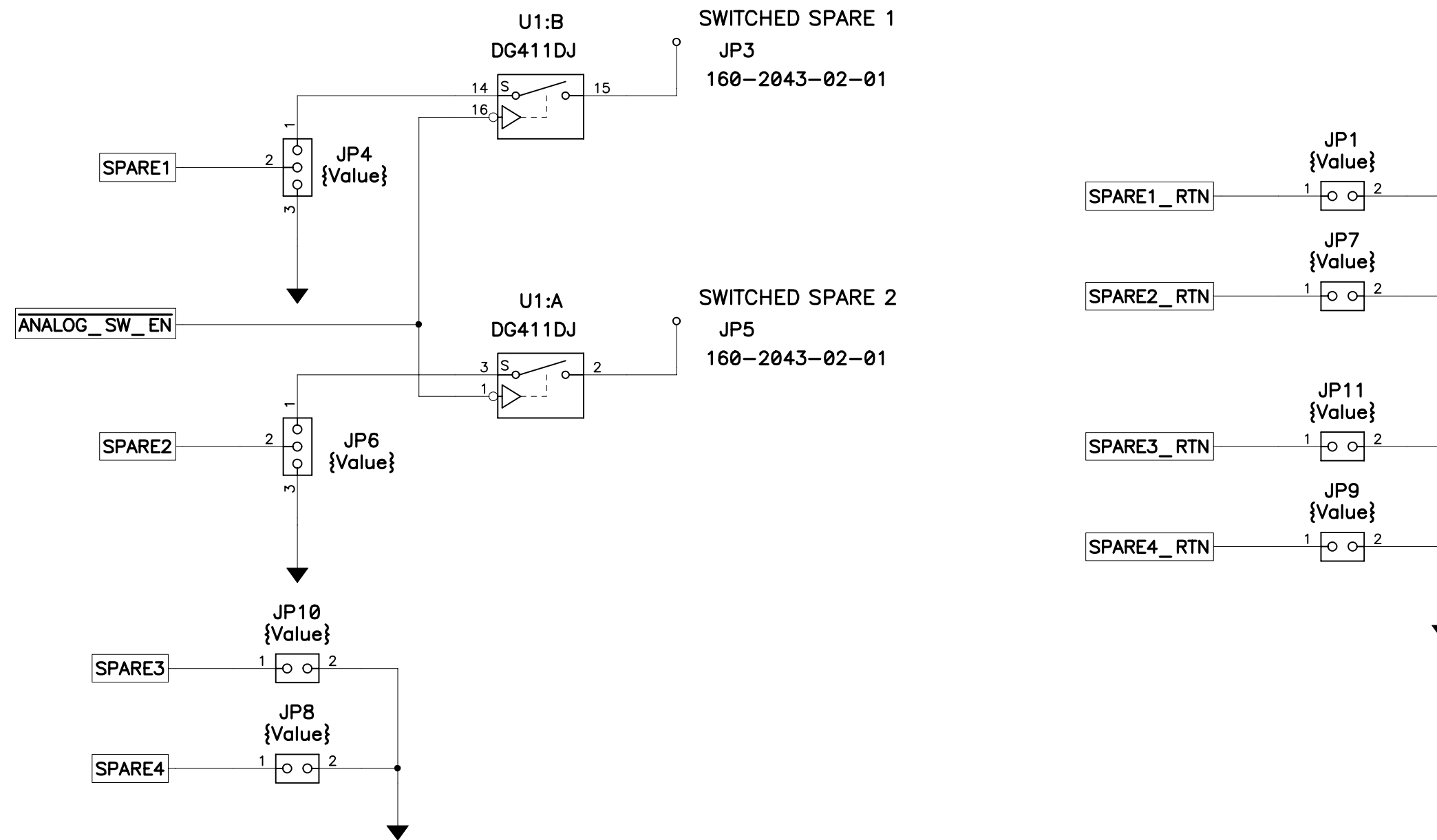


ANALOG_SW_EN

UNIVERSITY OF CALIFORNIA LICK OBSERVATORY	
61-PIN CONNECTOR/ANALOG SWITCH	
DWG. NO. EL-3192	REV B
DES'N BY: Chris Wright	ORIGIN DATE: APRIL 23, 1998
DRAWN BY:	MODIFY DATE:
PATH: sdsuccd2\boards\el3192\switch.sch	SHEET 3 OF 4

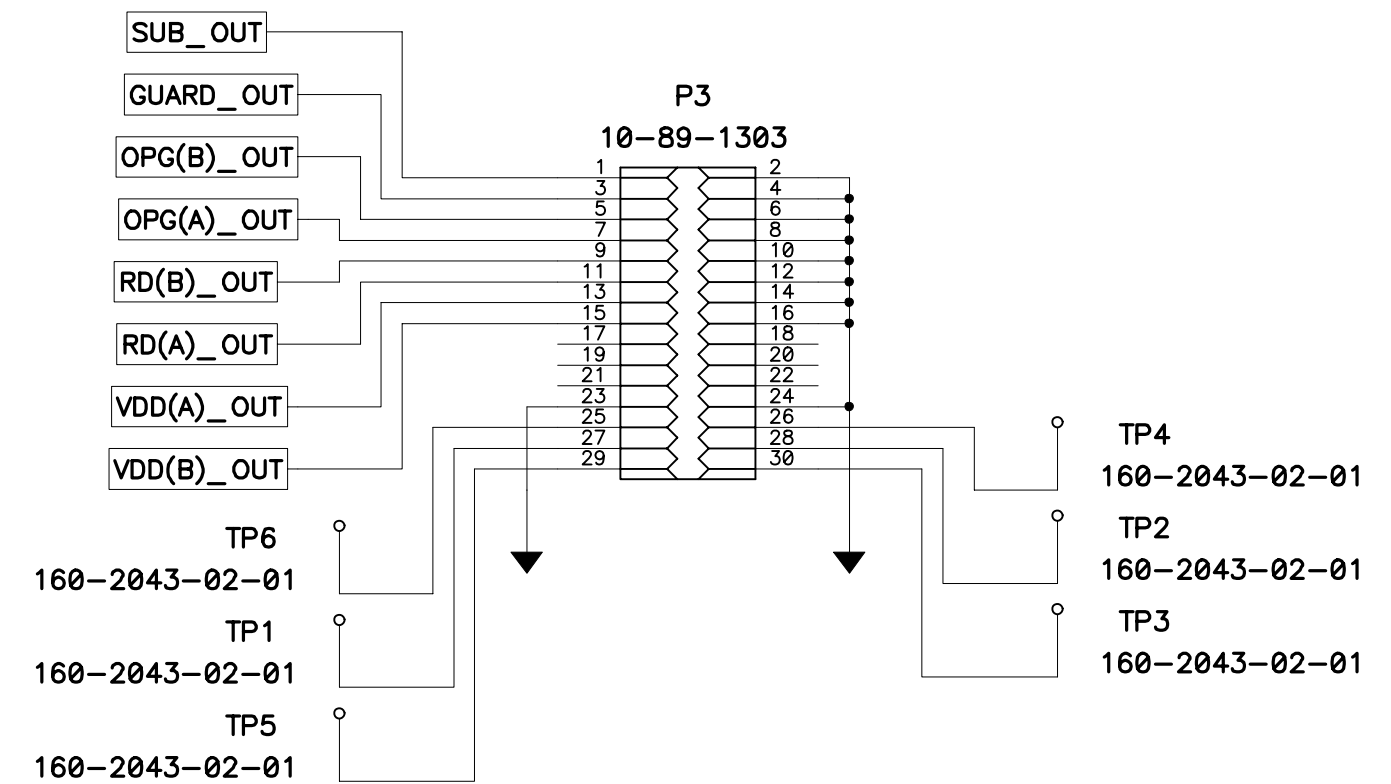
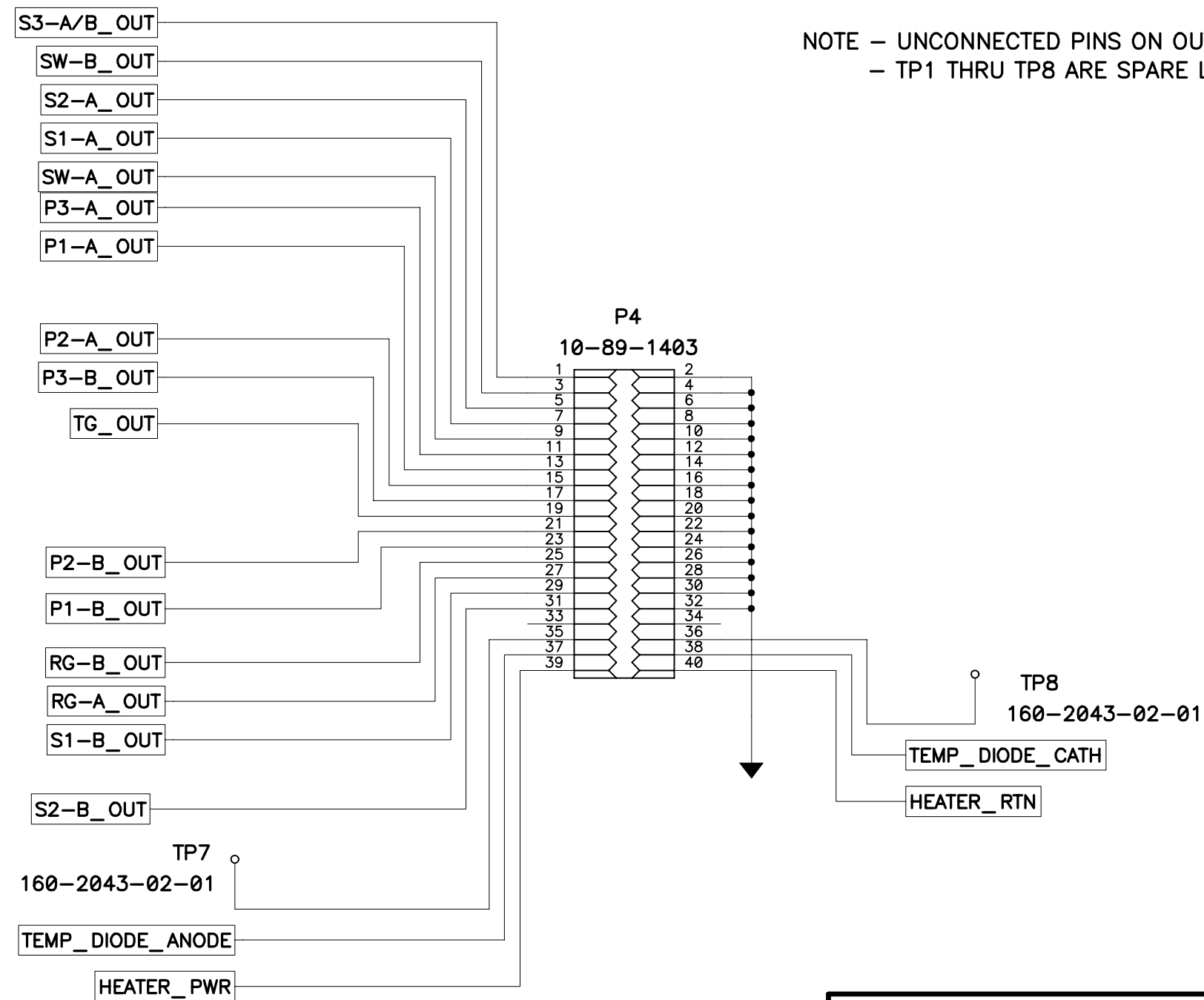
REVISION	

INPUT SPARES' JUMPERS



OUTPUT CONNECTORS

NOTE - UNCONNECTED PINS ON OUTPUT CONNECTORS ARE FOR KEYING
 - TP1 THRU TP8 ARE SPARE LINES TO THE CCD



UNIVERSITY OF CALIFORNIA LICK OBSERVATORY	
61-PIN CONNECTOR/ANALOG SWITCH	
DWG. NO.	EL-3192
DES'N BY: Chris Wright	ORIGIN DATE: APRIL 23, 1998
DRAWN BY:	MODIFY DATE:
PATH: sdsuccd2\boards\el3192\switch.sch	SHEET 4 OF 4

REVISION
