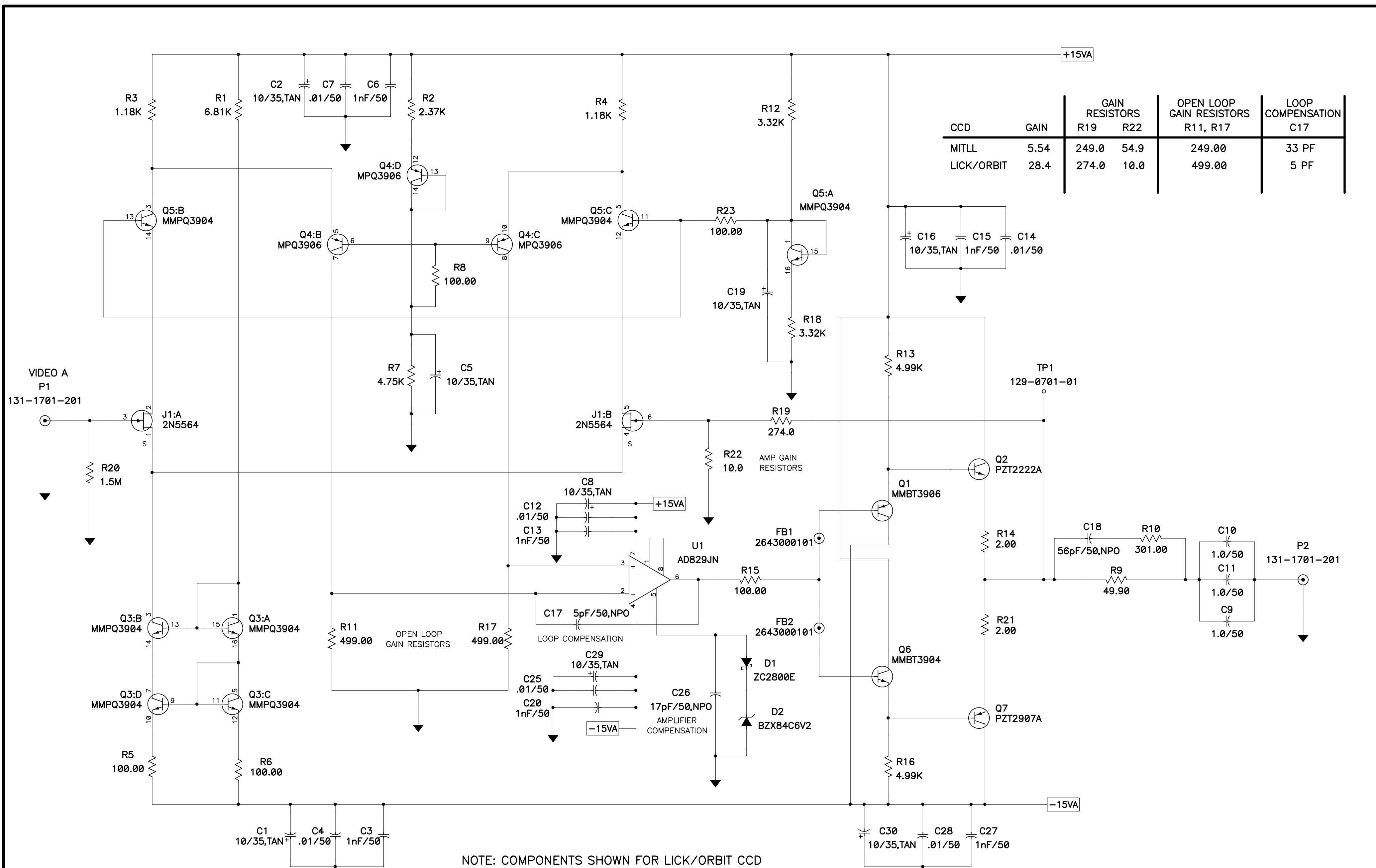


UNIVERSITY OF CALIFORNIA LICK OBSERVATORY	
CCD PRE-AMPLIFIER	
DWG. NO.	EL-1221
DES'N BY: Chris Wright	ORIGIN DATE: APRIL 13, 1998
DRAWN BY:	MODIFY DATE:
PATH: sdsuccd2\boards\el1221\preamp.sch	SHEET 1 OF 3

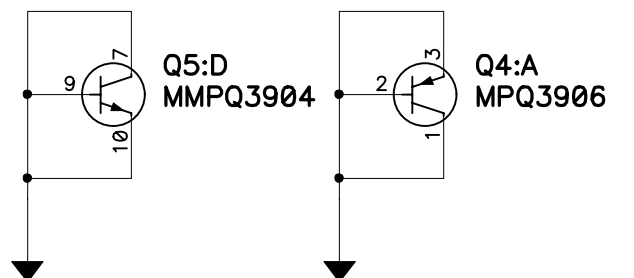
REVISION

REV B



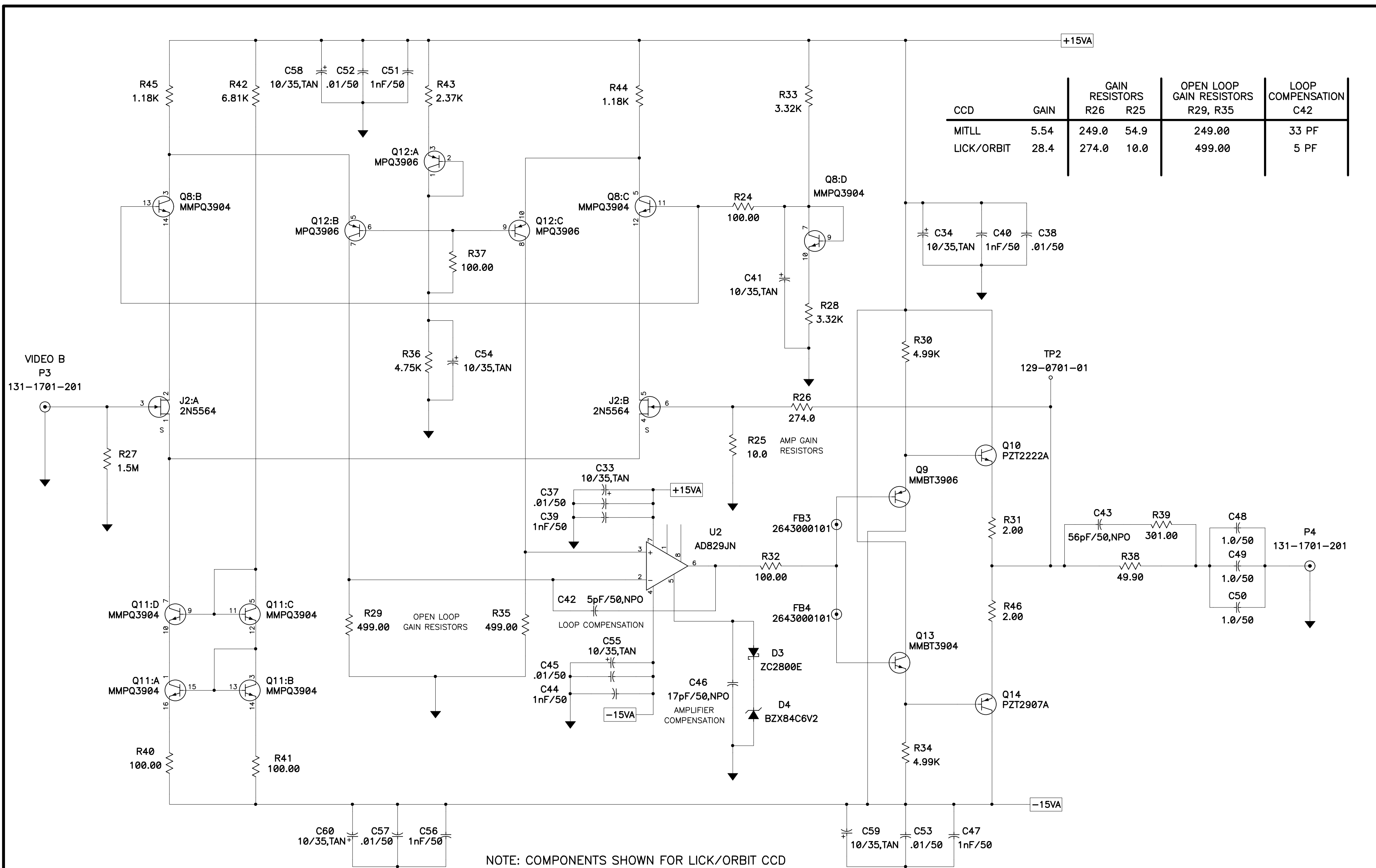
NOTE: COMPONENTS SHOWN FOR LICK/ORBIT CCD

UNUSED



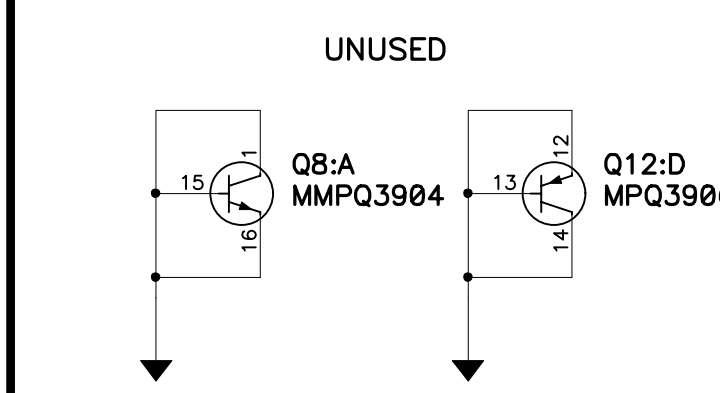
UNIVERSITY OF CALIFORNIA LICK OBSERVATORY	
CCD PRE-AMPLIFIER	
DWG. NO.	EL-1221
DES'N BY: Chris Wright	ORIGIN DATE: APRIL 13, 1998
DRAWN BY:	MODIFY DATE:
PATH: sdsuccd2\boards\el1221\preamp.sch	SHEET 2 OF 3

REVISION



CCD	GAIN	GAIN RESISTORS		OPEN LOOP GAIN RESISTORS R29, R35	LOOP COMPENSATION C42
		R26	R25		
MITLL	5.54	249.0	54.9	249.00	33 PF
LICK/ORBIT	28.4	274.0	10.0	499.00	5 PF

NOTE: COMPONENTS SHOWN FOR LICK/ORBIT CCD



UNIVERSITY OF CALIFORNIA LICK OBSERVATORY	
CCD PRE-AMPLIFIER	
DWG. NO.	EL-1221
DES'N BY: Chris Wright	ORIGIN DATE: APRIL 13, 1998
DRAWN BY:	MODIFY DATE:
PATH: sdsuccd2\boards\el1221\preamp.sch	SHEET 3 OF 3

REVISION