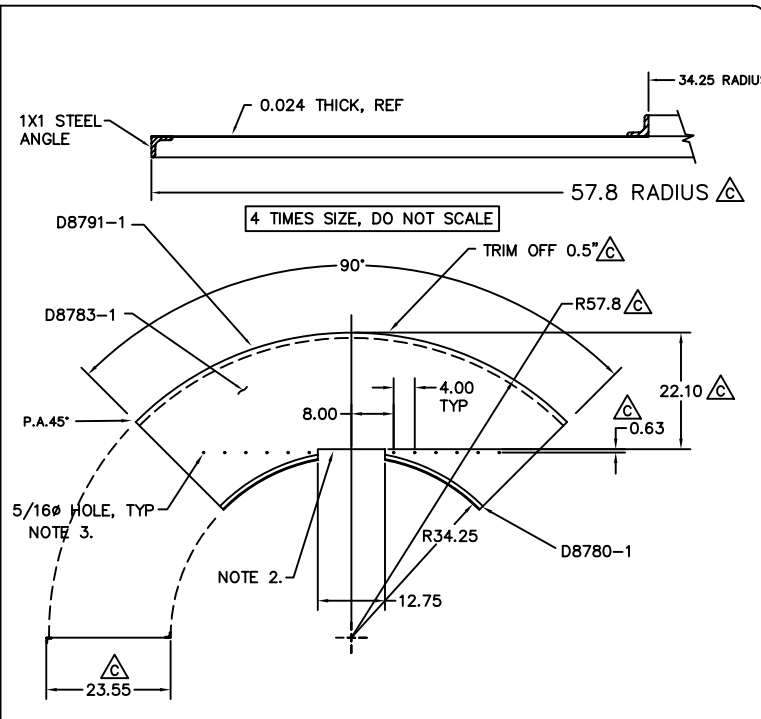


(-1) FORWARD END WALL

NOTES:
1. NEXT ASSY: D8742-1



(-2) 90° PANEL

NOTES:
1. NEXT ASSY: D8801-1
2. 3/8 AIR GAP AROUND FLANGE
3. CLEARANCE FOR #1/4 SCR

CHANGED BY
ECO # 81601

D8802-3	6	1	0° PANEL 2	ASSY
D8805-1	5	1	180° PANEL	ASSY
D8804-1	4	1	240° PANEL	ASSY
D8803-1	3	1	300° PANEL	ASSY
D8802-1	2	1	0° PANEL 1	ASSY
D8801-2	1	1	90° PANEL	ASSY

1/10

KECK/DEIMOS
FORWARD STRUCTURE
DETAIL



A	5/22/01	Jo.	OBSOLETE -2 PANEL
B	8/1/01	Jo.	ADD NOTE.
C	8/2/01	Jo.	REDUCE O.D. BY 1.0" BY ECO #1601
D	9/28/01	Jo.	GRATING ACCESS PORTS
E	11/15/01	Jo.	MODIFY TO AS-BUILT
F	11/15/01	Jo.	ADD HATCHES

Jo. 5 18 01

D8801.F

