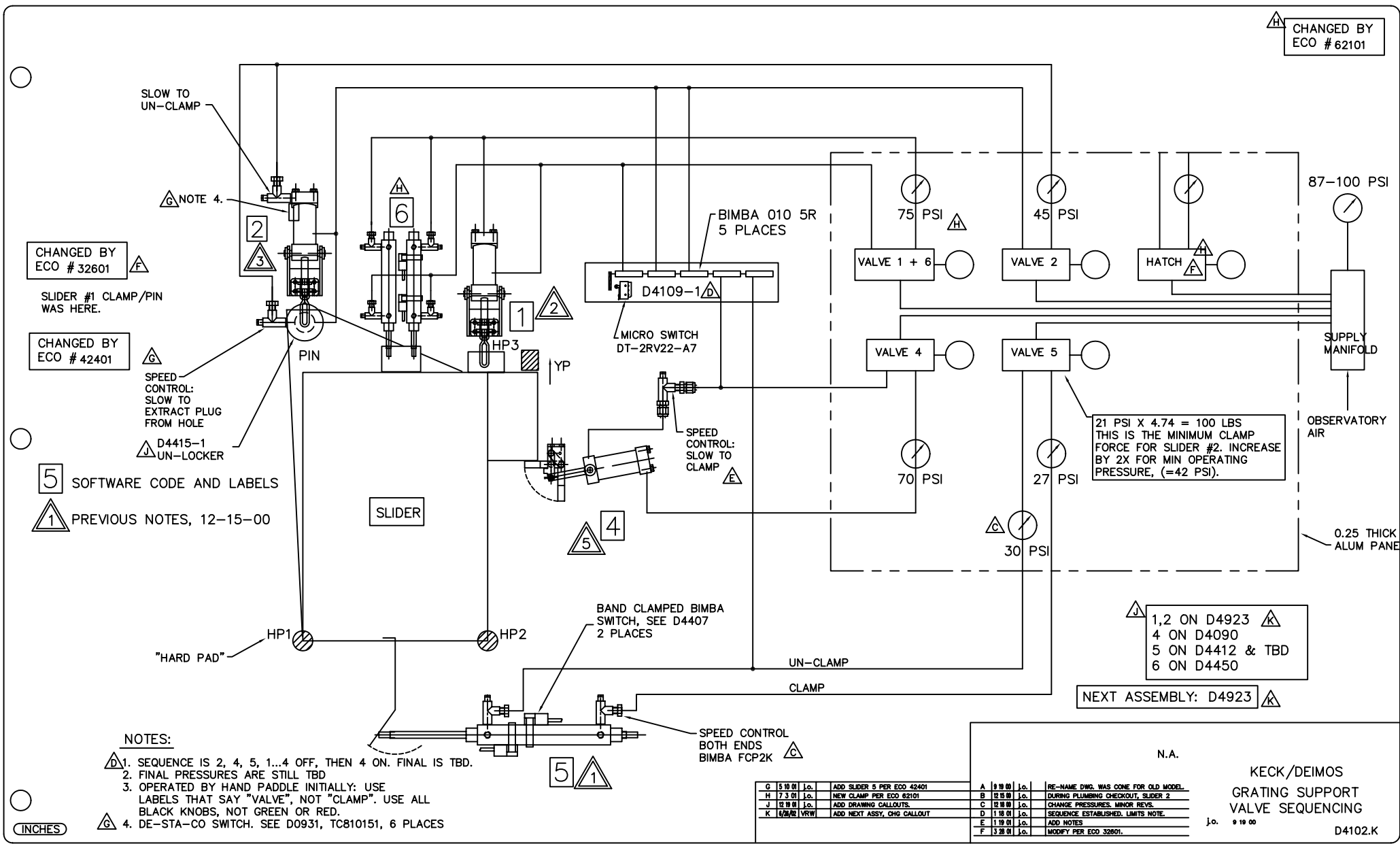


CHANGED BY
ECO # 62101



CHANGED BY
ECO # 32601

CHANGED BY
ECO # 42401

SLOW TO
UN-CLAMP

NOTE 4.

SPEED
CONTROL:
SLOW TO
EXTRACT PLUG
FROM HOLE

D4415-1
UN-LOCKER

5 SOFTWARE CODE AND LABELS

1 PREVIOUS NOTES, 12-15-00

"HARD PAD"

HP1

BAND CLAMPED BIMBA
SWITCH, SEE D4407
2 PLACES

SPEED CONTROL
BOTH ENDS
BIMBA FCP2K

BIMBA 010 5R
5 PLACES

D4109-1

MICRO SWITCH
DT-2RV22-A7

SPEED CONTROL:
SLOW TO
CLAMP

75 PSI

45 PSI

87-100 PSI

VALVE 1 + 6

VALVE 2

HATCH

SUPPLY
MANIFOLD

OBSERVATORY
AIR

70 PSI

27 PSI

21 PSI X 4.74 = 100 LBS
THIS IS THE MINIMUM CLAMP
FORCE FOR SLIDER #2. INCREASE
BY 2X FOR MIN OPERATING
PRESSURE, (=42 PSI).

30 PSI

0.25 THICK
ALUM PANEL

VALVE 4

VALVE 5

SLIDER

PIN

HP3

YP

UN-CLAMP

CLAMP

1,2 ON D4923
4 ON D4090
5 ON D4412 & TBD
6 ON D4450

NEXT ASSEMBLY: D4923

N.A.

KECK/DEIMOS
GRATING SUPPORT
VALVE SEQUENCING

9 19 00

D4102.K

NOTES:

1. SEQUENCE IS 2, 4, 5, 1...4 OFF, THEN 4 ON. FINAL IS TBD.
2. FINAL PRESSURES ARE STILL TBD
3. OPERATED BY HAND PADDLE INITIALLY: USE LABELS THAT SAY "VALVE", NOT "CLAMP". USE ALL BLACK KNOBS, NOT GREEN OR RED.
4. DE-STA-CO SWITCH. SEE D0931, TC810151, 6 PLACES

INCHES

G	5 10 01	l.o.	ADD SLIDER 5 PER ECO 42401	A	9 19 00	l.o.	RE-NAME DWG. WAS COME FOR OLD MODEL.
H	7 3 01	l.o.	NEW CLAMP PER ECO 62101	B	12 15 00	l.o.	DURING PLUMBING CHECKOUT, SLIDER 2
J	12 15 00	l.o.	ADD DRAWING CALLOUTS.	C	12 15 00	l.o.	CHANGE PRESSURES, MINOR REVS.
K	6/26/01	l.o.	ADD NEXT ASSY, CHG CALLOUT	D	1 18 00	l.o.	SEQUENCE ESTABLISHED, LIMITS NOTE.
E	1 19 00	l.o.		F	3 28 00	l.o.	ADD NOTES
F	3 28 00	l.o.	MODIFY PER ECO 32601.				MODIFY PER ECO 32601.