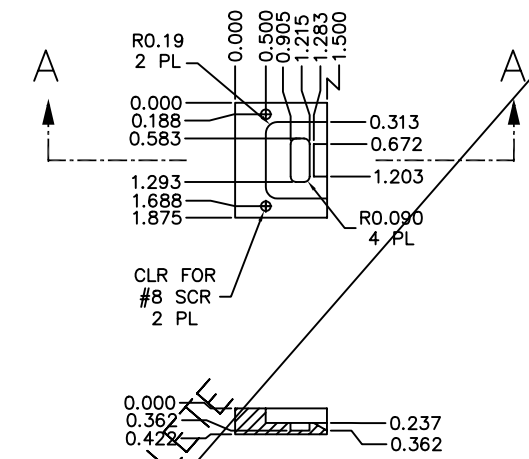
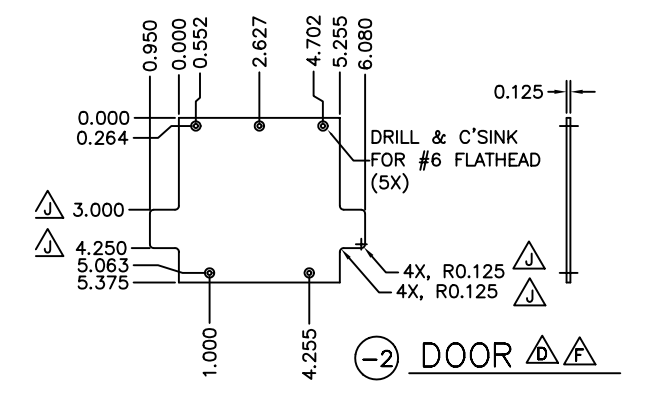


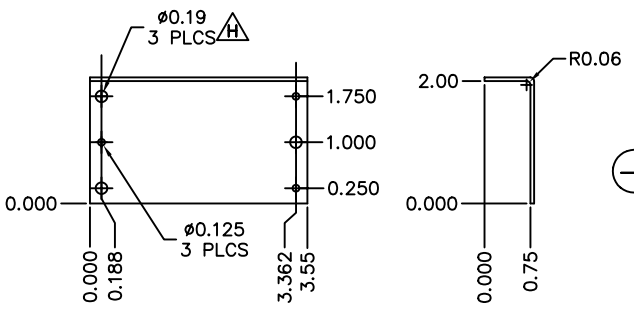
**(-1) TOP PLATE**  
 1 REQ'D  
 MAT'L - 3/8 ALUM PLATE  
 NEXT ASSEMBLY - D1215-1  
 SCALE 1/2



**(-4) DOOR LATCH**  
 3 REQ'D  
 MAT'L - DELRIN



**(-2) DOOR**  
 1 REQ'D  
 MAT'L - ALUMINUM  
 FINISH - BLACK ANODIZE  
 NEXT ASSEMBLY - D1215-1  
 SCALE 1/2



**(-3) COVER**  
 1 REQ'D  
 MAT'L - .06 ALUMINUM  
 FINISH - BLACK ANODIZE  
 NEXT ASSEMBLY - D1215-1

INCHES

PART NO.				ITEM	QTY	DESCRIPTION	MATERIAL	PART NO.				ITEM	QTY	DESCRIPTION	MATERIAL																																																				
TOLERANCES UNLESS OTHERWISE NOTED: DECIMAL .XX AND 1/16 IN. XX/16 ADD 0.01 IN. XX/16 AND 0.001 IN. XX/16 ANGLES 45° FROM 1/8" TO 1/4" INCHES BREAK SHARP EDGES AND CORNERS 1/64 INCHES							UNIVERSITY OF CALIFORNIA LICK OBSERVATORY																																																												
							KECK/DEIMOS																																																												
							CASSETTE DETAILS																																																												
H	11/87	CAO				ADD HOLES TO ITEM -3																																																													
J	11/87	VRW				ADD LIMIT SWITCH TRIP BARS -2																																																													
K	3/87	CAO				REVISED & REDRAWN ITEM -1																																																													
M	3/87	CAO				ADDED HOLE TO ITEM -3																																																													
N	7/87	VRW				CHANGE MATERIAL -1																																																													
P	11/87	VRW				ADD, REVISE HOLES																																																													
R	11/87	VRW				ADD HOLES																																																													
T	11/87	CAO				ADDED ITEM 4																																																													
U	7/87	VRW				CHANGE MATERIAL -1, OBS -4																																																													
							<table border="1"> <thead> <tr> <th>DATE</th> <th>BY</th> <th>CHKD</th> <th>APPD</th> <th>REVISION</th> </tr> </thead> <tbody> <tr> <td>B</td> <td>12/87</td> <td>LCC</td> <td></td> <td>AS BUILT TEST PART</td> </tr> <tr> <td>C</td> <td>1/87</td> <td>VRW</td> <td></td> <td>ADD GROOVE FOR SENSOR</td> </tr> <tr> <td>D</td> <td>1/87</td> <td>VRW</td> <td></td> <td>UPDATE</td> </tr> <tr> <td>E</td> <td>2/87</td> <td>VRW</td> <td></td> <td>CORRECT DIMENSION</td> </tr> <tr> <td>F</td> <td>2/87</td> <td>VRW</td> <td></td> <td>REDRAW -1, -2</td> </tr> <tr> <td>G</td> <td>5/87</td> <td>VRW</td> <td></td> <td>SHORTEN ITEM -1</td> </tr> </tbody> </table>				DATE	BY	CHKD	APPD	REVISION	B	12/87	LCC		AS BUILT TEST PART	C	1/87	VRW		ADD GROOVE FOR SENSOR	D	1/87	VRW		UPDATE	E	2/87	VRW		CORRECT DIMENSION	F	2/87	VRW		REDRAW -1, -2	G	5/87	VRW		SHORTEN ITEM -1	<table border="1"> <thead> <tr> <th>DATE</th> <th>BY</th> <th>CHKD</th> <th>APPD</th> <th>DATE</th> <th>DATE</th> </tr> </thead> <tbody> <tr> <td></td> <td>E.J.</td> <td></td> <td></td> <td>2/1/87</td> <td></td> </tr> <tr> <td></td> <td>C.A.O.</td> <td></td> <td></td> <td>2/16/87</td> <td></td> </tr> </tbody> </table>				DATE	BY	CHKD	APPD	DATE	DATE		E.J.			2/1/87			C.A.O.			2/16/87	
DATE	BY	CHKD	APPD	REVISION																																																															
B	12/87	LCC		AS BUILT TEST PART																																																															
C	1/87	VRW		ADD GROOVE FOR SENSOR																																																															
D	1/87	VRW		UPDATE																																																															
E	2/87	VRW		CORRECT DIMENSION																																																															
F	2/87	VRW		REDRAW -1, -2																																																															
G	5/87	VRW		SHORTEN ITEM -1																																																															
DATE	BY	CHKD	APPD	DATE	DATE																																																														
	E.J.			2/1/87																																																															
	C.A.O.			2/16/87																																																															
											D1217.U																																																								