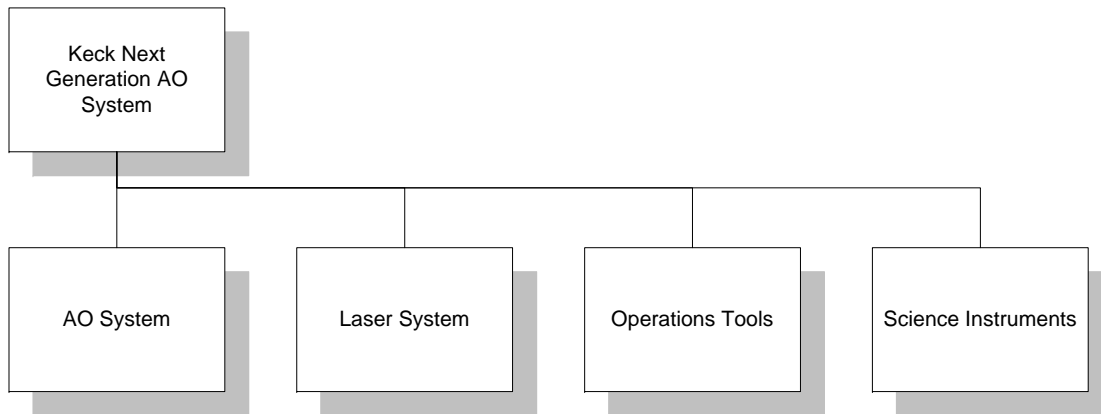
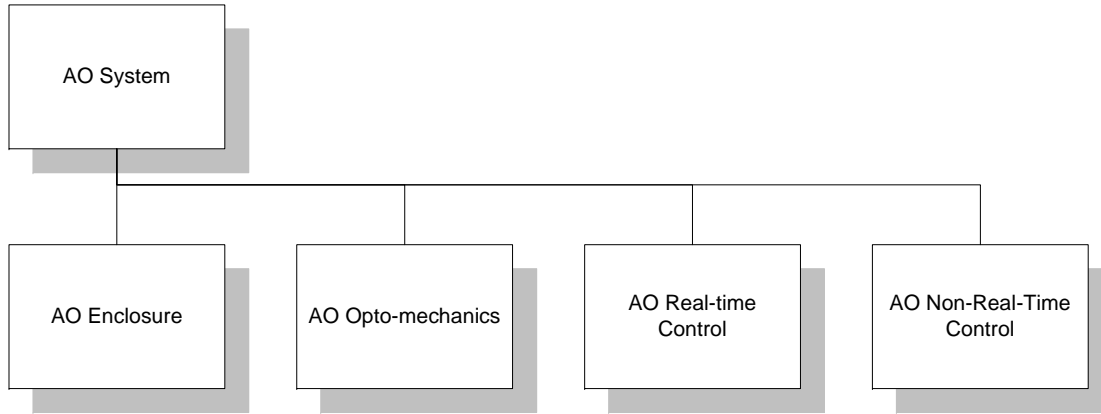
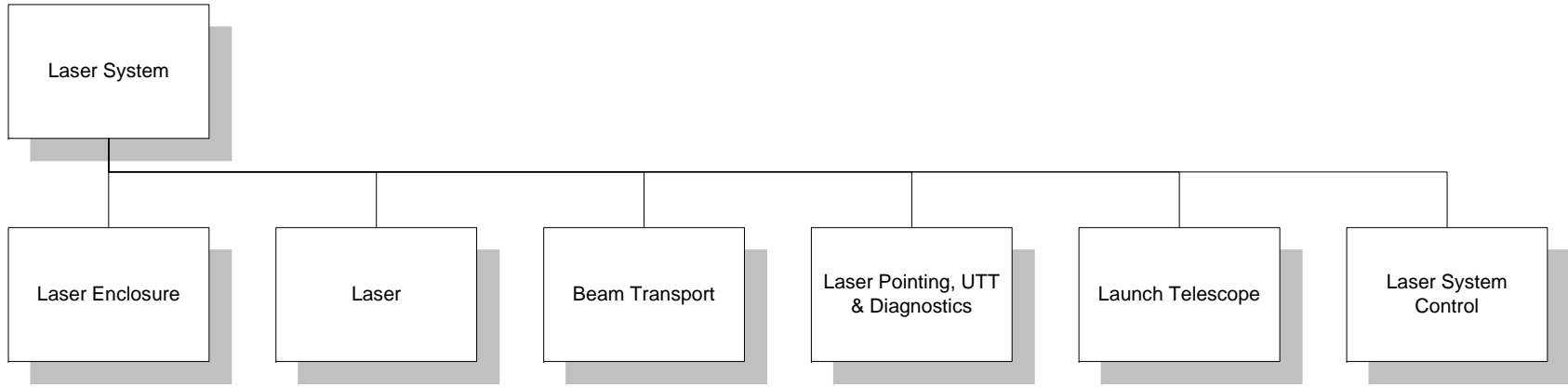


Keck Next  
Generation AO  
Development









Operations Tools

Observing Setup

User Interfaces

Astronomer  
Planning

Science Instruments  
& DCS Interface

Performance  
Monitoring

Automation &  
Optimization

Documentation

Science Instruments

NIRC2 (+)

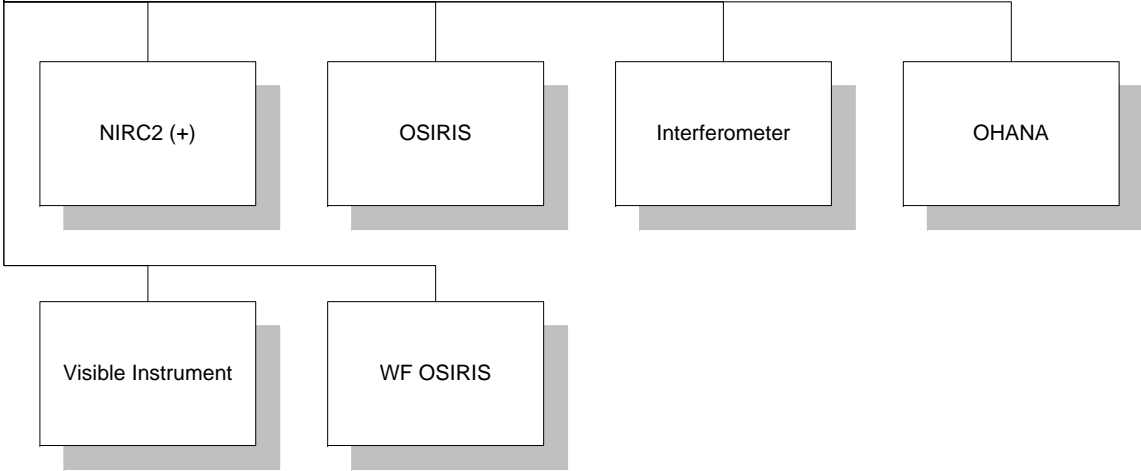
OSIRIS

Interferometer

OHANA

Visible Instrument

WF OSIRIS



AO Opto-mechanics

AO Support  
Structure

Rotator

Optical Relay

Optical Switchyard

Atmospheric  
Dispersion  
Correctors

LGS Wavefront  
Sensor Opto-  
mechanics

NGS Wavefront  
Sensor Opto-  
mechanics

Low Order  
Wavefront Sensor  
Opto-mechanics

Slow Wavefront  
Sensor Opto-  
mechanics

Acquisition Camera  
Opto-mechanics

AO Alignment,  
Calibration &  
Diagnostics

AO Support  
Structure

Optics Bench

Interface to  
Nasmyth Platform

Cover

Optical Relay

OAP1 or Sphere 1

OAP1 or Sphere 1  
Mount

OAP2 or Sphere 2

OAP2 or Sphere 2  
Mount

Deformable Mirror

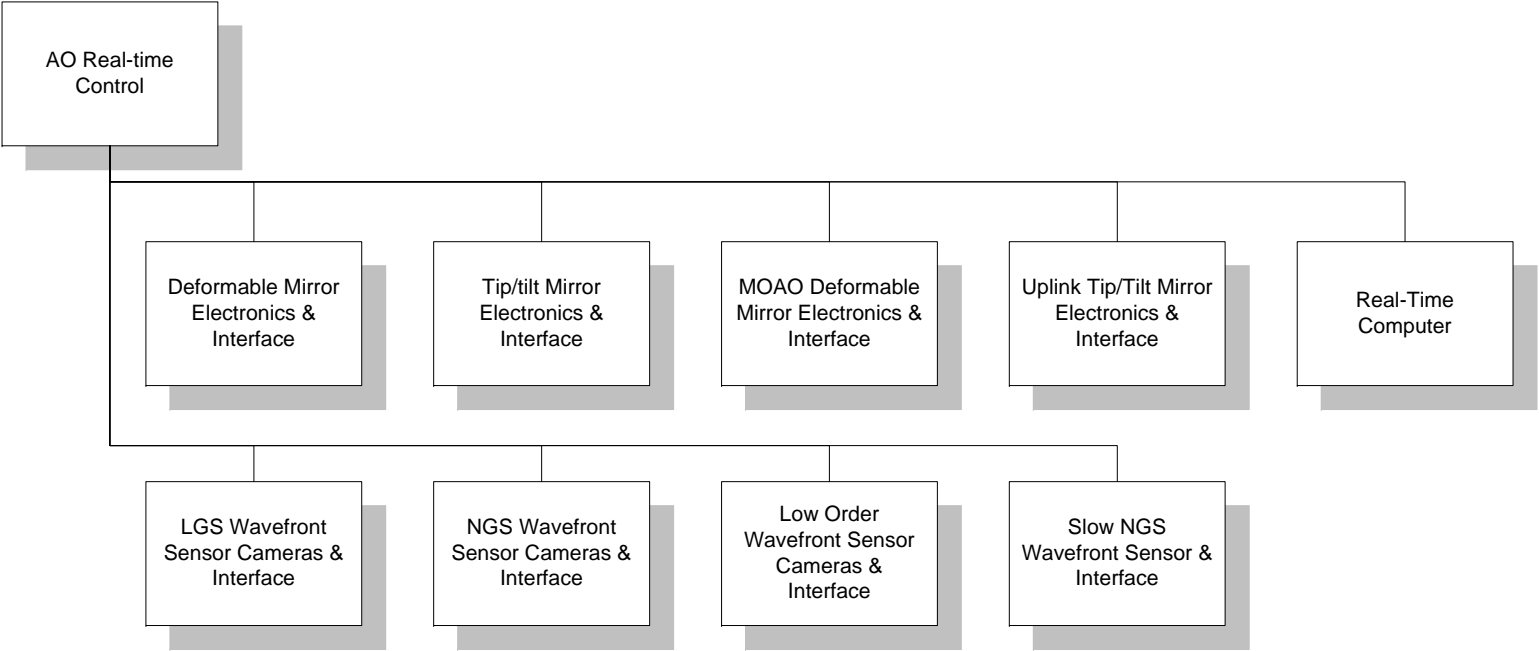
Tip/tilt Mount

AO Motion Control

Electronics Rack

Cables

Motion Control



Telescope &  
Summit Facilities

Telescope  
Performance  
Improvements